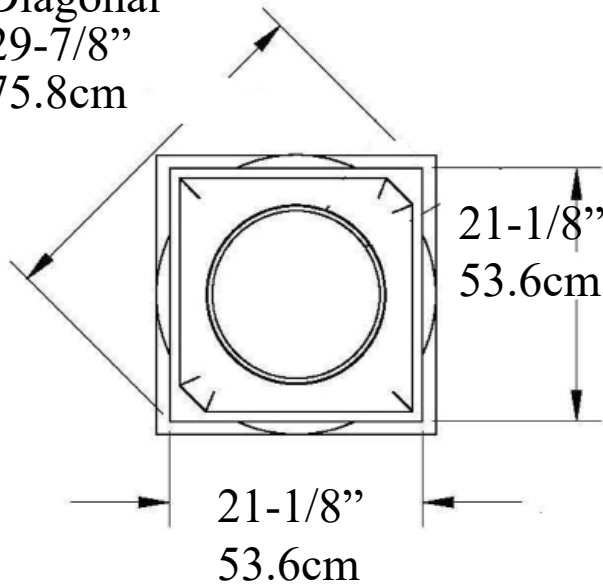




Attic Base IPAB16 EconPolymer™

Diagonal
29-7/8"
75.8cm



Hole
16"
40.64cm

Hole 16" (40.64cm)
Circumference of Hole 50.26"

Total Height
10-1/8" (25.7cm)



Weight
17 lb
7.72 kg



Made from Molds
Synthetic Polyurethane
Interior & Exterior Use
Insect, Rot, Water Resistant
Same Density as White Pine

* All specifications subject to change without notice,
Final products & Measurements may vary from this brochure Manufacturing tolerences +/- 1/8" (.31cm)



Imperial Productions® 1-800-399-7585

Imperial Productions & Distribution Inc.

email sales@imperialproductions.com copyright 2016 MRDCI All Rights Reserved

APR-23