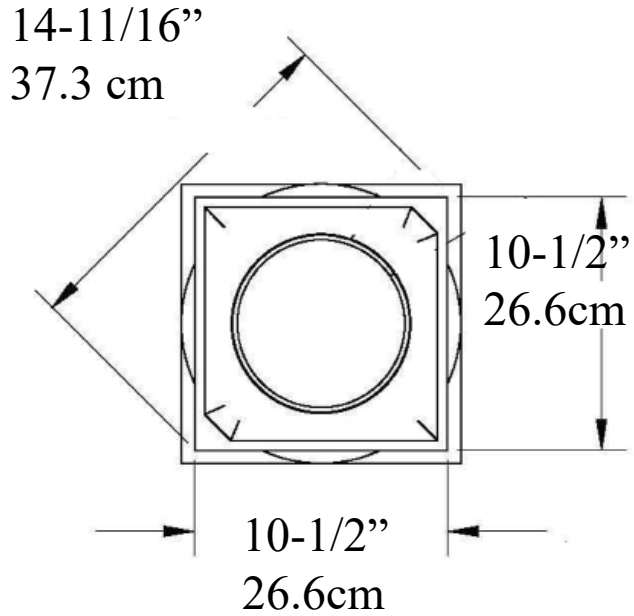




# Attic Base IPAB8 EconPolymer™



Hole  
7-5/8"  
19.36cm

Hole 7-5/8" (19.36cm)  
Circumference  
23.95 inches

Total Height

4-1/2" (11.43cm)

Top Round Torus

3-3/16"

Plinth: 1-5/16" (3.34cm)



Weight

1/2 lb

.23 kg

Made from Molds

High density Synthetic Polyurethane

Interior & Exterior Use

Insect, Rot, Water Resistant

Same Density as White Pine

\* All specifications subject to change without notice,  
Final products & Measurements may vary from this brochure Manufacturing tolerances +/- 1/8" (.31cm)



Imperial Productions®

1-800-399-7585

Imperial Productions & Distribution Inc.

email sales@imperialproductions.com copyright 2016 MRDCI All Rights Reserved

APR-23