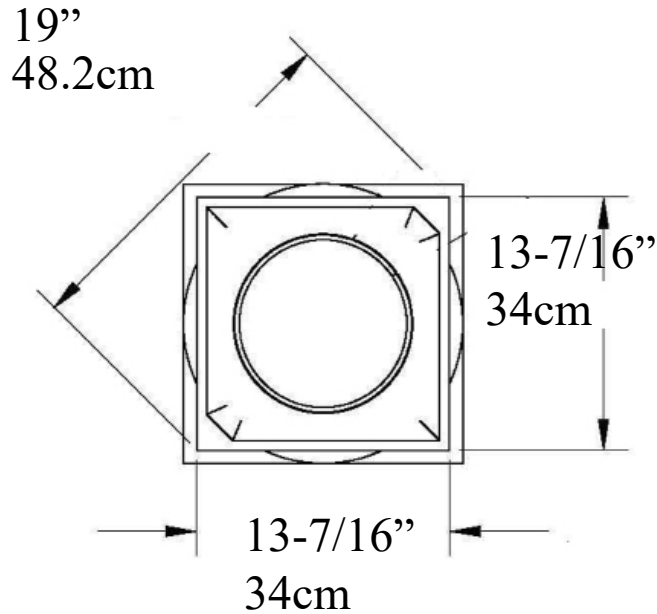




Attic Base IPATTC121 ArchPolymer™



Hole 10-3/16" (25.8cm)
Circumference
32 inches

Total Height

5-1/2" (13.9cm)

Top Round: 3-7/8" (9.8cm)

Plinth: 1-5/8" (4.1cm)



Weight
2 lb
.91 kg



Made from Molds
High density Synthetic Polyurethane
Interior & Exterior Use
Insect, Rot, Water Resistant
Same Density as White Pine

* All specifications subject to change without notice,
Final products & Measurements may vary from this brochure Manufacturing tolerances +/- 1/8" (.31cm)



Imperial Productions®

1-800-399-7585

Imperial Productions & Distribution Inc.

email sales@imperialproductions.com copyright 2016 MRDCI All Rights Reserved

APR-23