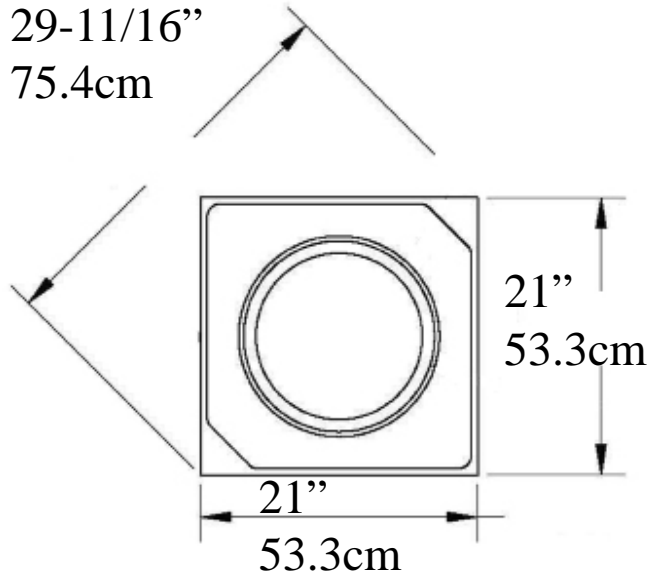




# Attic Base

## IPPCAB16 PolyComp(FRP)



Height  
Base & Plinth  
8-3/4"  
22.2 cm



Hole 16" (40.6cm)

Circumference 50.3 inches

Weight 48 lb (21.79 kg)

Made from Calcium Carbonate (Plaster) and Resins  
Decorative Use Interior and Exterior Applications

\* All specifications subject to change without notice,  
Final products & Measurements may vary from this brochure Manufacturing tolerences +- 1/8" (.31cm)



Imperial Productions®

1-800-399-7585

Imperial Productions & Distribution Inc.

email sales@imperialproductions.com copyright 2016 MRDCI All Rights Reserved

APR-23