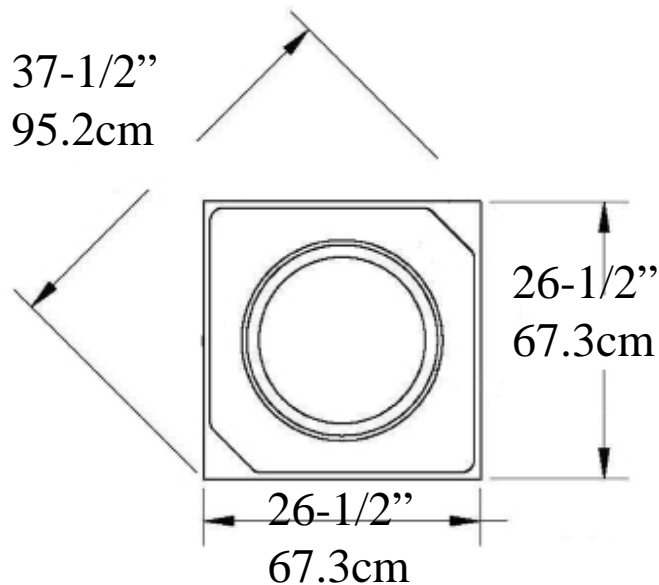




Attic Base IPPCAB20 PolyComp(FRP)



Height
Base & Plinth
10-5/8"
26.9 cm



Hole 20-1/8" (51.1cm)

Circumference 63.2 inches

Weight 106 lb (48 kg)



* All specifications subject to change without notice,
Final products & Measurements may vary from this brochure Manufacturing tolerences +/- 1/8" (.31cm)



Imperial Productions®

1-800-399-7585

Imperial Productions & Distribution Inc Toronto / New York

AUG-21

email sales@imperialproductions.com copyright 2016 MRDCI All Rights Reserved



Imperial Productions® Request for Quote

Download, Fill-in & Email to sales@imperialproductions.com

Name / Company: _____

Phone _____ Email _____

Billing Address: _____

City: _____ Prov / State _____

PC / Zip Code _____

Ship to Address: _____

City: _____ Prov / State _____

PC / Zip Code _____

Product Code: _____

Quantity: _____

Notes: _____



Imperial Productions®

1-800-399-7585

Imperial Productions & Distribution Inc Toronto / New York

email sales@imperialproductions.com copyright 2016 MRDCI All Rights Reserved