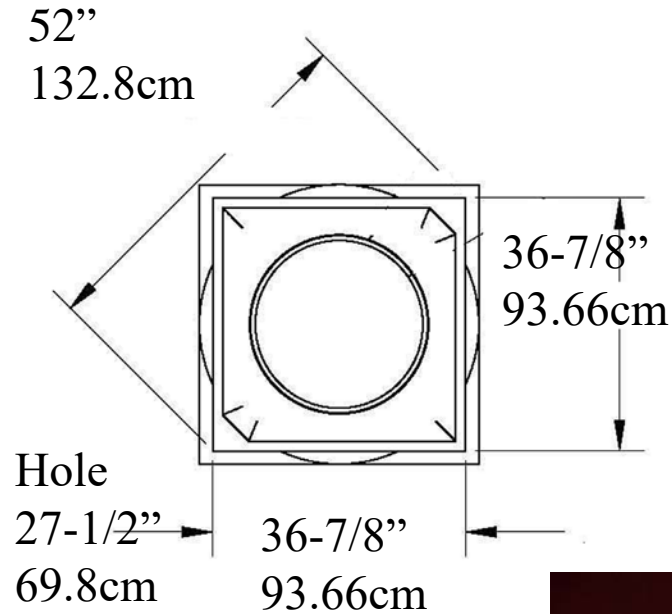




# Doric Capital IPDC30 Fiberglass

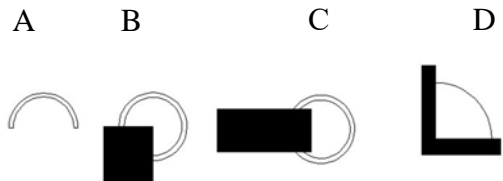


Height  
10"  
25.4cm



EconPolymer™  
Made from Molds  
High density Synthetic Polyurethane  
Interior & Exterior Use  
Insect, Rot, Water Resistant  
Same Density as White Pine

## Optional Cuts



A = Half column  
B = 3/4 Outside Corner  
C = Wall Cover Engaged  
D = 1/4 Column Inside Corner  
E = Engaged any percentage

\* All specifications subject to change without notice, Final products & Measurements may vary from this brochure



Imperial Productions®

1-800-399-7585

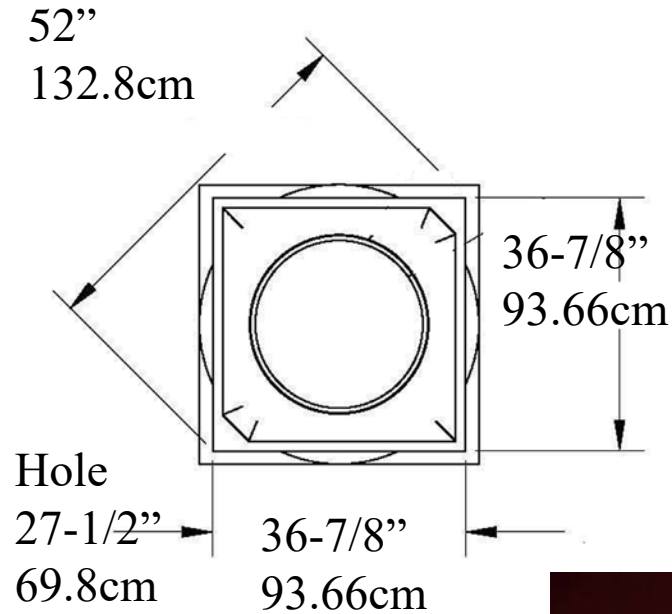
Imperial Productions & Distribution Inc Toronto / New York

email sales@imperialproductions.com copyright 2016 MRDCI All Rights Reserved

SEP-21



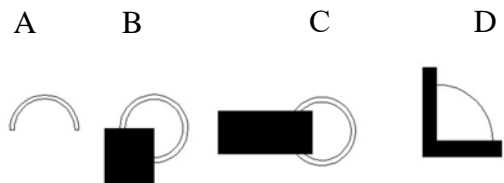
# Doric Capital IPDC30 Fiberglass



Height  
10"  
25.4cm

EconPolymer™  
Made from Molds  
High density Synthetic Polyurethane  
Interior & Exterior Use  
Insect, Rot, Water Resistant  
Same Density as White Pine

## Optional Cuts



A = Half column  
B = 3/4 Outside Corner  
C = Wall Cover Engaged  
D = 1/4 Column Inside Corner  
E = Engaged any percentage

\* All specifications subject to change without notice, Final products & Measurements may vary from this brochure



**Imperial Productions®**

1-800-399-7585

Imperial Productions & Distribution Inc Toronto / New York

email sales@imperialproductions.com copyright 2016 MRDCI All Rights Reserved

SEP-21