



Roman Corinthian Capital

IPPCRC10 PolyComp™



PolyComp™ is made from molds
70% Calcium Carbonate
5% Chopped Marble
25% Polyester Resin
Consistency of smooth natural marble with the strength of Fiberglass

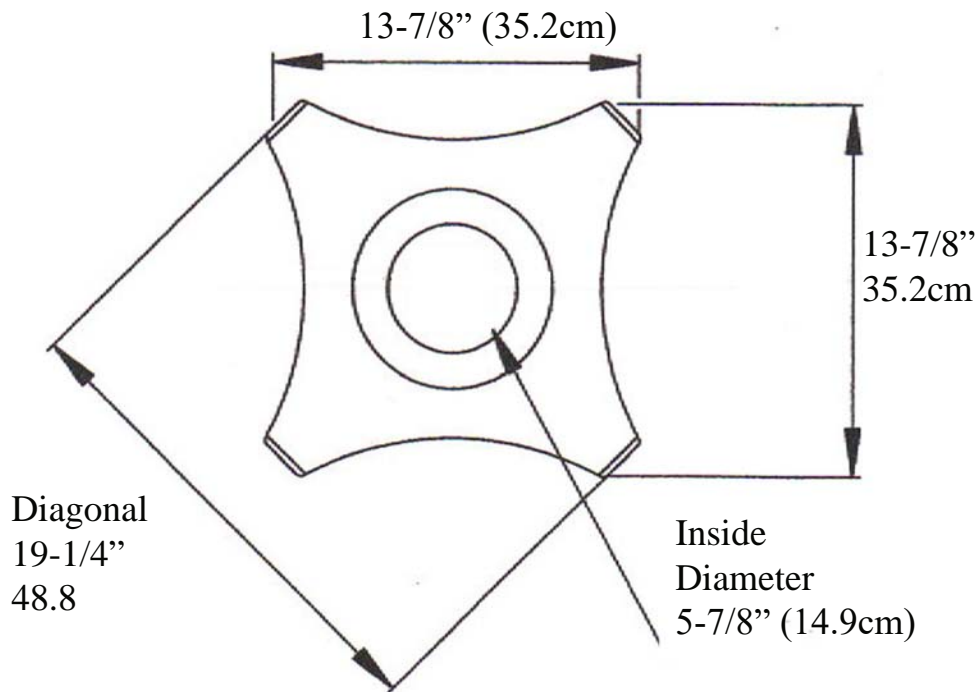
Total Height
11-7/8"
30.1cm

Plug Height
3/4"
1.9cm

Outside Diameter of Plug
6-3/4"
17.1cm

Outside=>
Diameter

<= PLUG



Outside Diameter Bottom Round
8-1/4"
20.9cm

Weight
40 lbs
18 kg

Diagonal
19-1/4"
48.8

Inside Diameter
5-7/8"
(14.9cm)

* All specifications subject to change without notice,
Final products & Measurements may vary from this brochure Manufacturing tolerences +/- 1/8" (.31cm)



Imperial Productions®

1-800-399-7585

Imperial Productions & Distribution Inc Toronto / New York / Chicago

email sales@imperialproductions.com copyright 2016 MRDCI All Rights Reserved

OCT-23