



Roman Corinthian Capital

IPPCRC18 PolyComp™



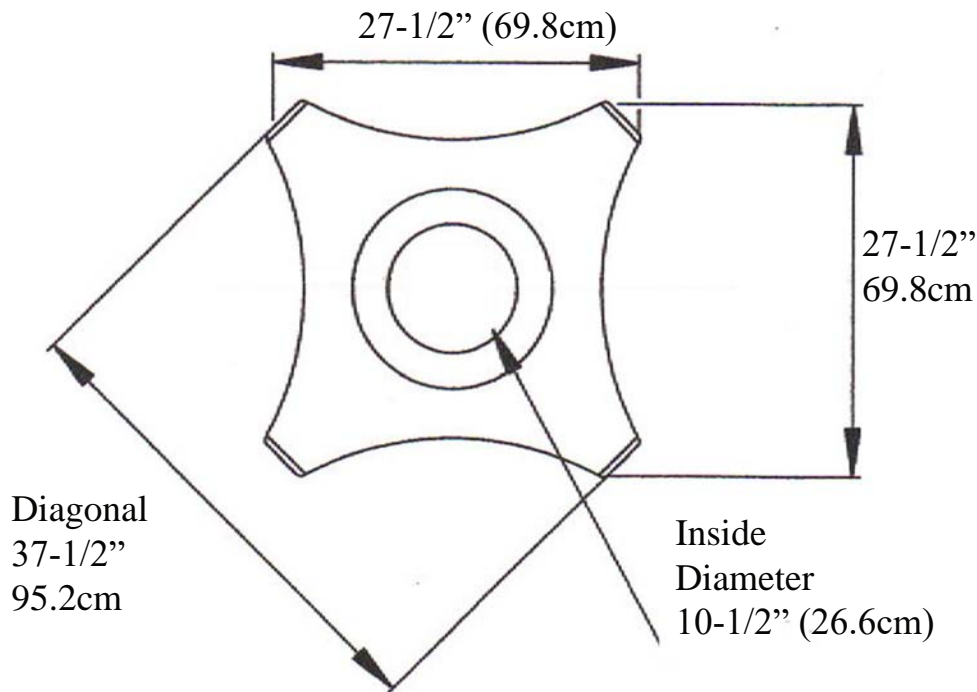
PolyComp™ is made from molds
 70% Calcium Carbonate
 5% Chopped Marble
 25% Polyester Resin
 Consistency of smooth natural marble with the strength of Fiberglass

Total Height
 20-1/4"
 51.4cm

Plug Height
 1"
 2.54cm

Plug Diameter
 12-7/8"
 32.7cm

Outside of plug
 15-3/4"
 40cm



Weight
 125 lbs
 56.7 kg

* All specifications subject to change without notice,
 Final products & Measurements may vary from this brochure Manufacturing tolerences +/- 1/8" (.31cm)



Imperial Productions®

1-800-399-7585

Imperial Productions & Distribution Inc Toronto / New York / Chicago

OCT-23

email sales@imperialproductions.com copyright 2016 MRDCI All Rights Reserved