



Tower of the Winds (common name Temple Winds)

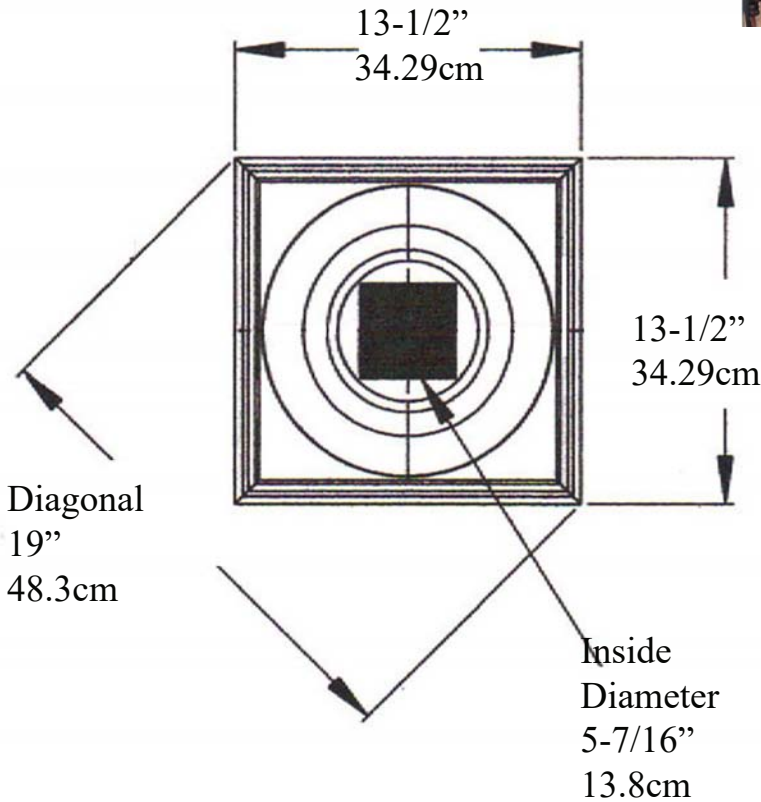
IPPCTW10 PolyComp™



Height
10-1/4"
26cm
no plug

PolyComp™ is made from
75% calcium carbonate
5% marble chips
20% Fiberglass Resins
23 lbs (10.43kg)

Bottom Circle Outside Diameter 8-1/4" (20.9cm)
Plug Diameter 6-3/4"
Plug Height 3/4" (1.9cm)
Inside Diameter 5-7/16" (13.8cm)



* All specifications subject to change without notice,
Final products & Measurements may vary from this brochure Manufacturing tolerences +/- 1/8" (.31cm)



Imperial Productions®

1-800-399-7585

Imperial Productions & Distribution Inc.

email sales@imperialproductions.com copyright 2016 MRDCI All Rights Reserved

MAY-24