



# Tower of the Winds (common name Temple Winds)

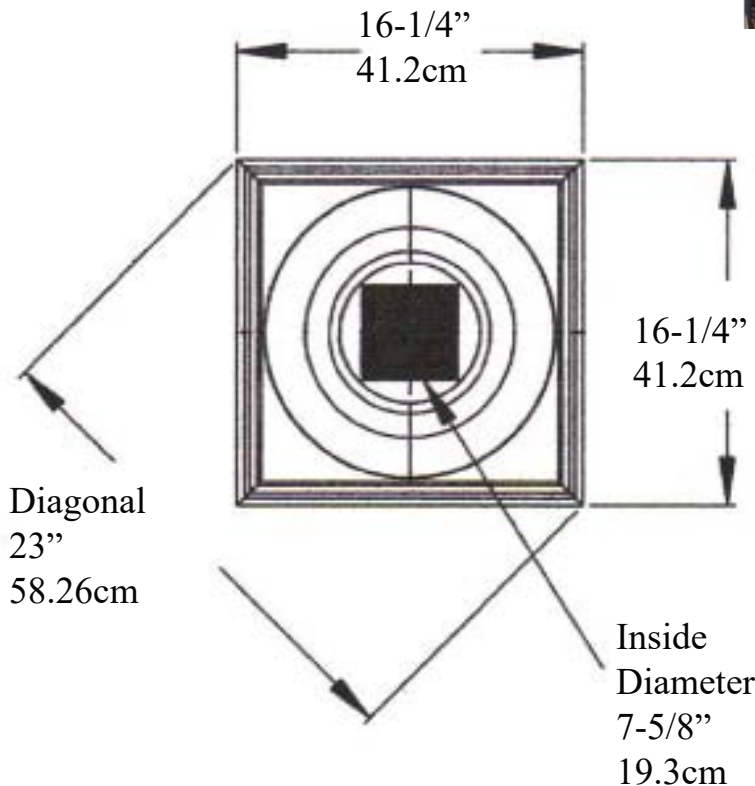
## IPPCTW12 PolyComp™



Total  
Height  
13"  
33cm

PolyComp™ is made from  
75% calcium carbonate  
5% marble chips  
20% Fiberglass Resins  
Weight 30-1/2lbs (13.85kg)

Bottom Circle Outside Diameter 10-3/8" (26.3cm)  
Plug Diameter 8-5/8"  
Plug Height 3/4" (1.9cm)  
Inside Diameter 7-5/8" (19.3cm)



\* All specifications subject to change without notice,  
Final products & Measurements may vary from this brochure Manufacturing tolerences +/- 1/8" (.31cm)



Imperial Productions®

1-800-399-7585

Imperial Productions & Distribution Inc.

email sales@imperialproductions.com copyright 2016 MRDCI All Rights Reserved

MAY-24