



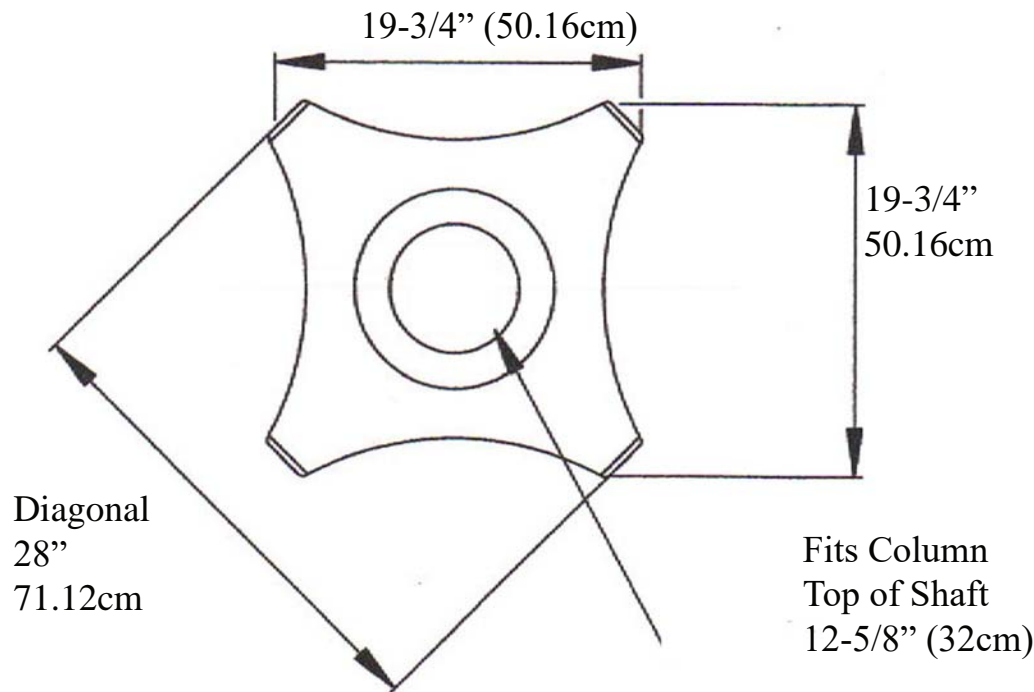
# Roman Corinthian Capital

## IPRC014 PolyComp™



Total Height  
15-1/4"  
43.5cm

\* PolyComp™ Composite  
Weight 115 lbs (52.16kg)



\* All specifications subject to change without notice,  
Final products & Measurements may vary from this brochure Manufacturing tolerences +- 1/8" (.31cm)



Imperial Productions®

1-800-399-7585

Imperial Productions & Distribution Inc Toronto / New York / Chicago

email sales@imperialproductions.com copyright 2016 MRDCI All Rights Reserved

MAY-24