



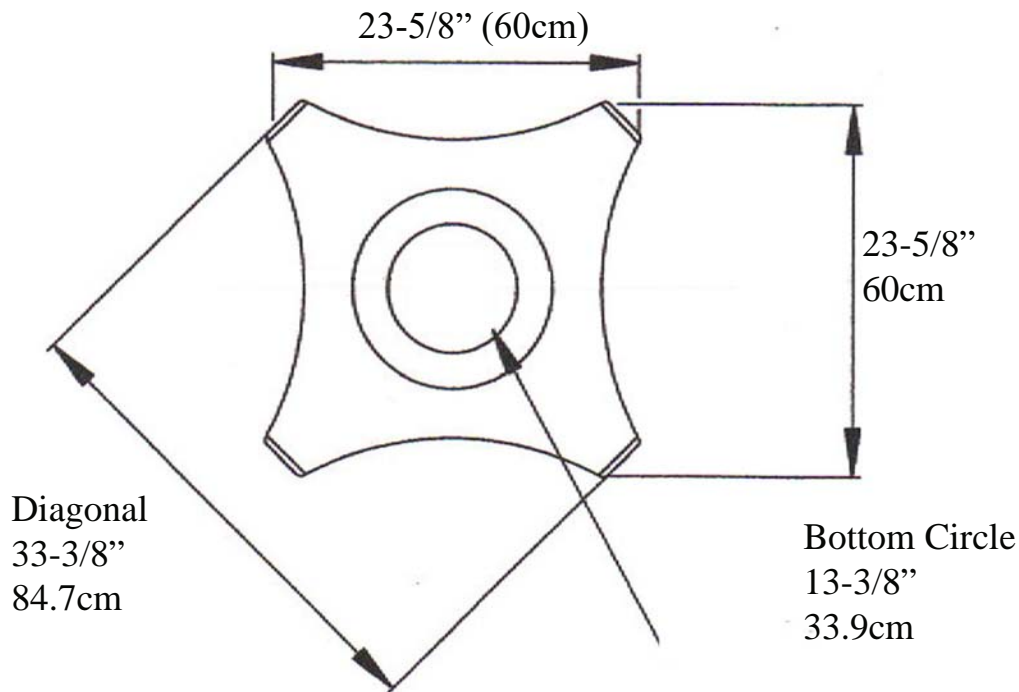
Roman Corinthian Capital

IPRC016 PolyComp™



Total Height
17-5/8"
44.13cm

* PolyComp™ Composite
Weight 121 lbs



* All specifications subject to change without notice,
Final products & Measurements may vary from this brochure Manufacturing tolerences +/- 1/8" (.31cm)



Imperial Productions®

1-800-399-7585

Imperial Productions & Distribution Inc Toronto / New York / Chicago

MAY-24

email sales@imperialproductions.com copyright 2016 MRDCI All Rights Reserved