



Scamozzi Capital IPSCA102 ArchPolymer™

Martin Richards Design
COLLECTION

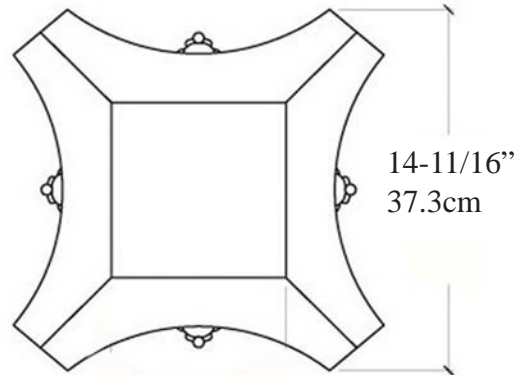
SQUARE SCAMOZZI

Materials:

- i) ArchPolymer™
a synthetic wood Primed White
- ii) GRG-NeoPlaster
- iii) Zeament

C = Hole
7-1/8" x 7-1/8"
18 x 18cm

<----- 14-11/16" (37.3cm) ----->



----->
call
----->



<-----
6-1/8"
15.5cm
<-----



* All specifications subject to change without notice,
Final products & Measurements may vary from this brochure Manufacturing tolerences +/- 1/8" (.31cm)



www.imperialproductions.com

Imperial Productions & Distribution Inc Toronto / New York

email sales@imperialproductions.com copyright 2016 MRDCI All Rights Reserved

1-800-399-7585

FEB-21