



Scamozzi Capital IPSCA110 ArchPolymer™

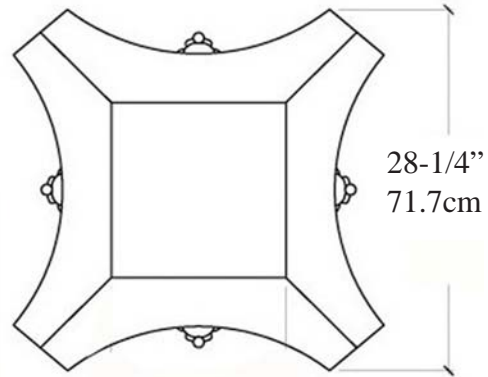
Martin Richards Design
COLLECTION

SQUARE SCAMOZZI

Materials:

- i) ArchPolymer™
a synthetic wood Primed White
 - ii) GRG-NeoPlaster
 - iii) Zeament
- C = Hole
17" x 17"
43 x 43cm

<----- 28-1/4" (71.7cm) ----->



----->
8-1/2"
21.5cm
----->



<-----
10-11/16"
27.1cm
<-----



* All specifications subject to change without notice,
Final products & Measurements may vary from this brochure Manufacturing tolerences +/- 1/8" (.31cm)



www.imperialproductions.com

Imperial Productions & Distribution Inc Toronto / New York

email sales@imperialproductions.com copyright 2016 MRDCI All Rights Reserved

1-800-399-7585

FEB-21