



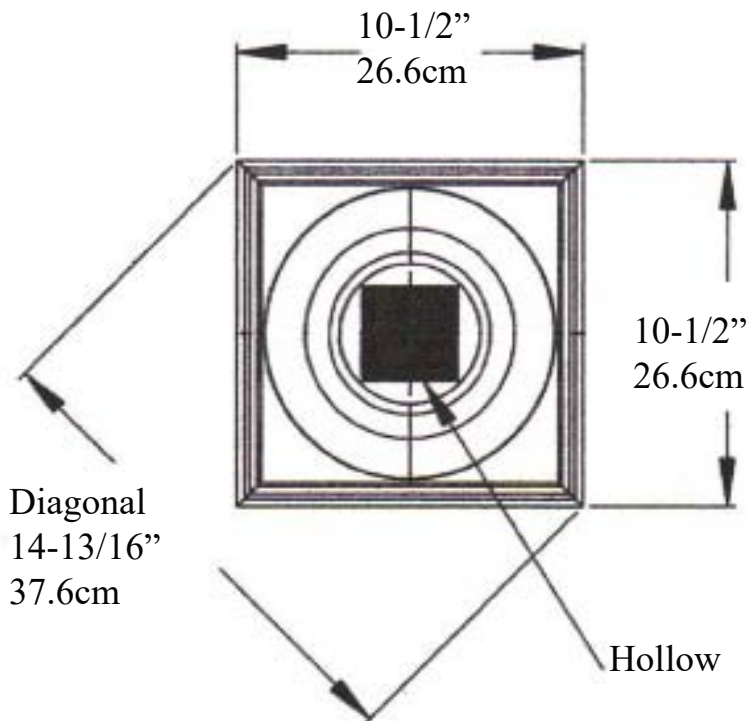
Tower of the Winds (common name Temple Winds)

IPTW008 PolyComp™



Total
Height
7-1/2"
19cm

Bottom Circle 6-3/4" (17.1cm)



Inside
Diameter
3-1/2"
8.89cm



* All specifications subject to change without notice,
Final products & Measurements may vary from this brochure



Imperial Productions®

1-800-399-7585

Imperial Productions & Distribution Inc.

email sales@imperialproductions.com copyright 2016 MRDCI All Rights Reserved

MAY-24