



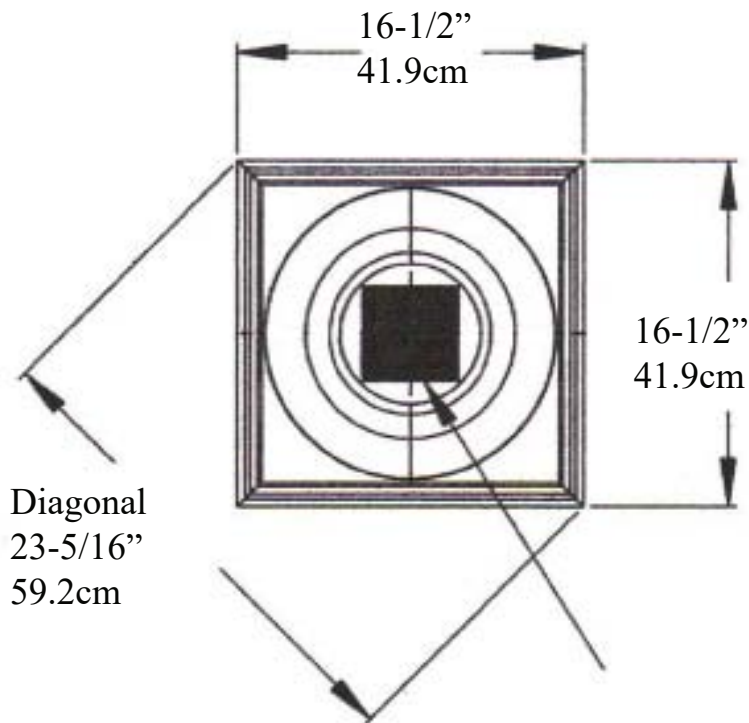
Tower of the Winds (common name Temple Winds)

IPTW012 PolyComp™



Total
Height
11-1/4"
28.57cm

Bottom Circle 10" (25.4cm)



Inside
Diameter
5"
12.7cm



* All specifications subject to change without notice,
Final products & Measurements may vary from this brochure



Imperial Productions®
Imperial Productions & Distribution Inc.
email sales@imperialproductions.com

1-800-399-7585

copyright 2016 MRDCI All Rights Reserved

MAY-24