



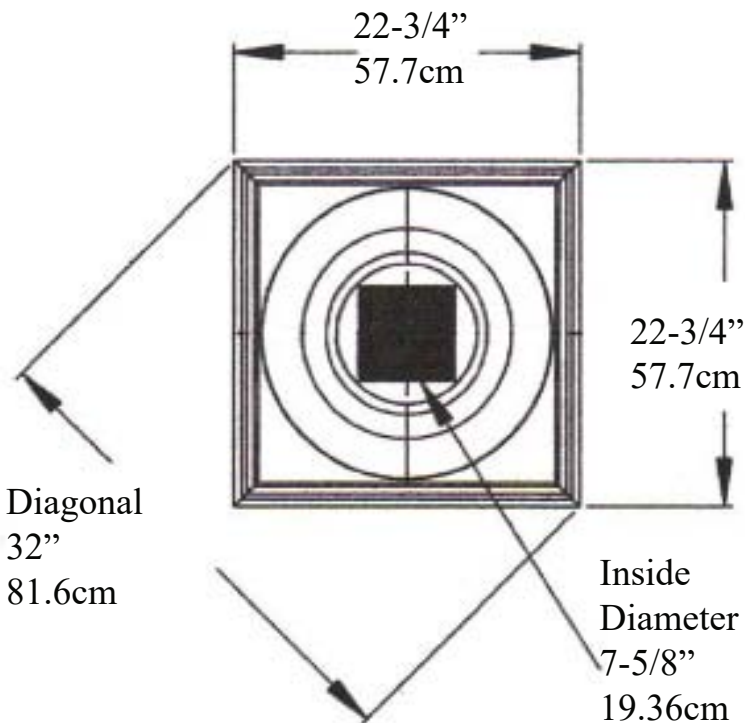
Tower of the Winds (common name Temple Winds)

IPTW016 PolyComp™



Total
Height
16-3/8"
41.59cm

Bottom Circle 13-7/8" (35.24cm)



* All specifications subject to change without notice,
Final products & Measurements may vary from this brochure Manufacturing tolerences +/- 1/8" (.31cm)



Imperial Productions®

1-800-399-7585

Imperial Productions & Distribution Inc.

email sales@imperialproductions.com copyright 2016 MRDCI All Rights Reserved

APR-24