



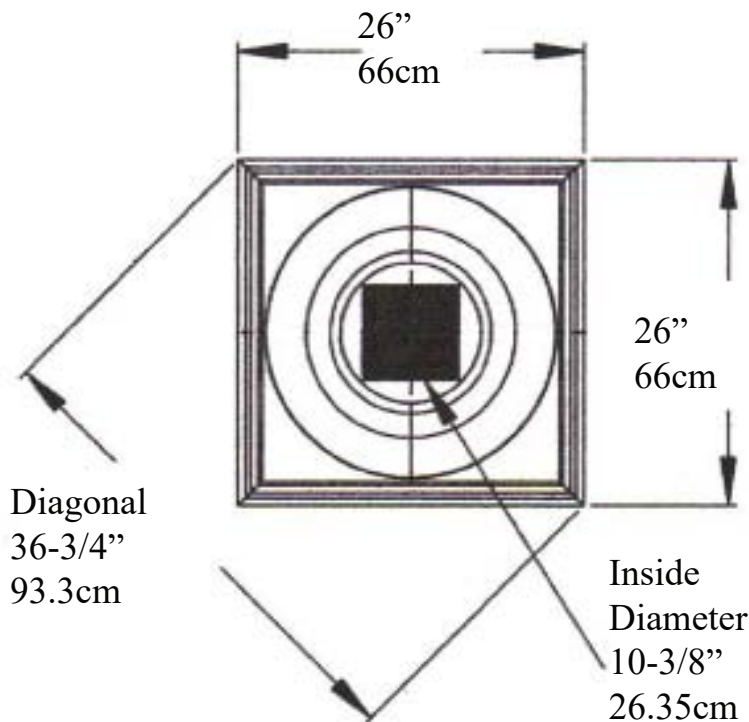
# Tower of the Winds (common name Temple Winds)

## IPTW018 PolyComp™



Total  
Height  
18-3/8"  
46.6cm

Bottom Circle 16" (40.6cm)



\* All specifications subject to change without notice,  
Final products & Measurements may vary from this brochure Manufacturing tolerences +/- 1/8" (.31cm)



**Imperial Productions®**

1-800-399-7585

Imperial Productions & Distribution Inc.

email sales@imperialproductions.com copyright 2016 MRDCI All Rights Reserved

APR-24