



Tower of the Winds (common name Temple Winds)

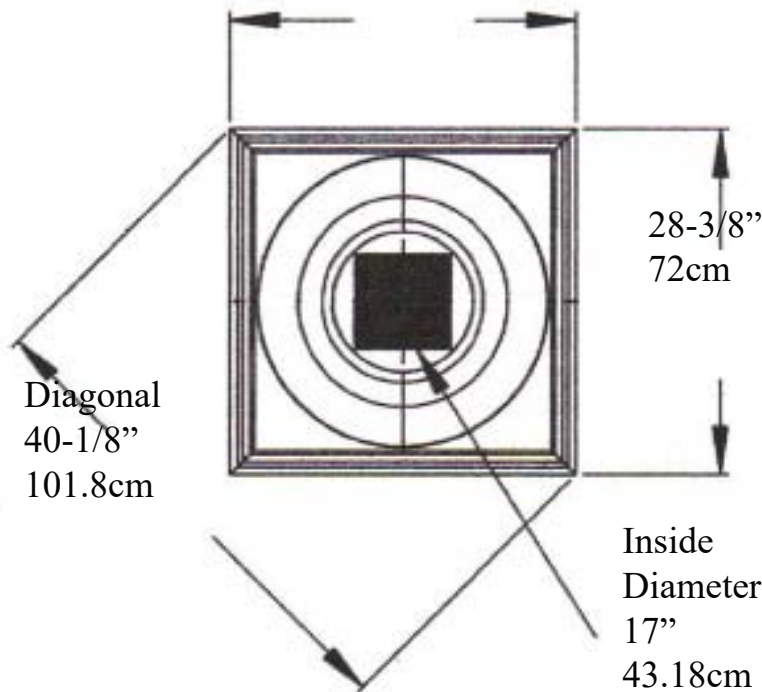
IPTW020 PolyComp™



Total
Height
21-3/8"
54.29cm

Bottom Circle 17-1/4" (43.8cm)

28-3/8"
72cm



* All specifications subject to change without notice,
Final products & Measurements may vary from this brochure Manufacturing tolerences +/- 1/8" (.31cm)



Imperial Productions®

1-800-399-7585

Imperial Productions & Distribution Inc.

email sales@imperialproductions.com copyright 2016 MRDCI All Rights Reserved

APR-24