



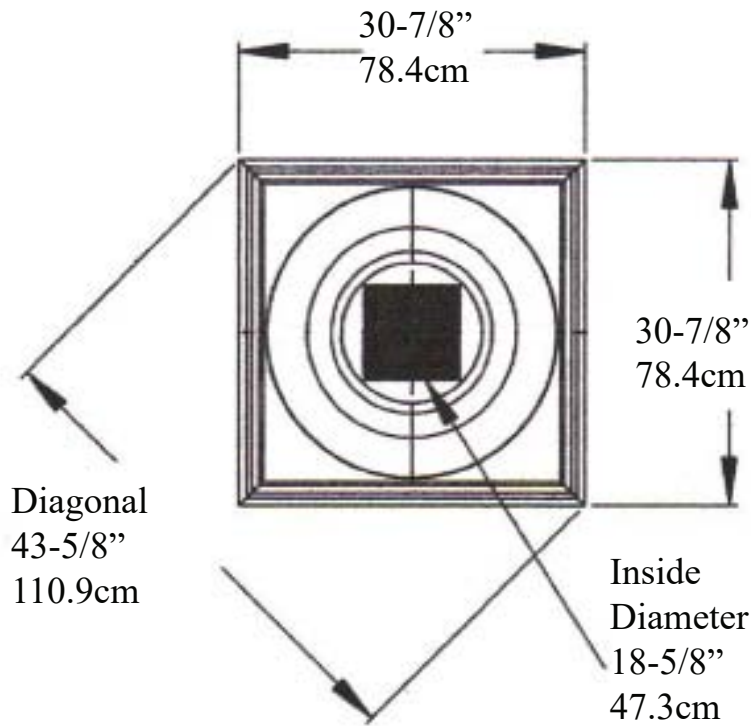
Tower of the Winds (common name Temple Winds)

IPTW022 PolyComp™



Total
Height
26"
66cm

Bottom Circle 20-7/8" (53cm)



* All specifications subject to change without notice,
Final products & Measurements may vary from this brochure Manufacturing tolerences +/- 1/8" (.31cm)



Imperial Productions®

1-800-399-7585

Imperial Productions & Distribution Inc.

email sales@imperialproductions.com copyright 2016 MRDCI All Rights Reserved

APR-24