

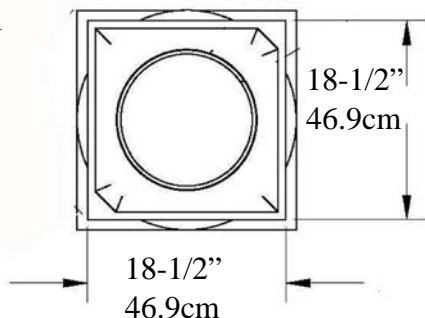


# Tuscan Column

## IPTUS0916S-FG FiberComp™

### Tuscan Capital EconPolymertm

Diagonal  
26"  
66cm



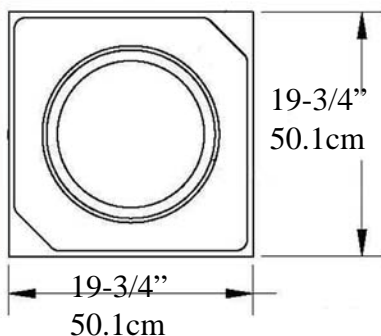
Cap 4-1/4" (10.7cm) =>

Top of Shaft to Top of  
Astragal 8-1/4" (20.9cm) =>

Top of Shaft  
Outside Diameter  
13-7/8"  
35.2cm

### Tuscan Base EconPolymertm

Diagonal  
27-5/8"  
70cm



Bottom of Column  
Outside Diameter  
15-1/2"  
39.3cm

Taper Ends  
from Bottom  
approximately  
12" (30.4cm)

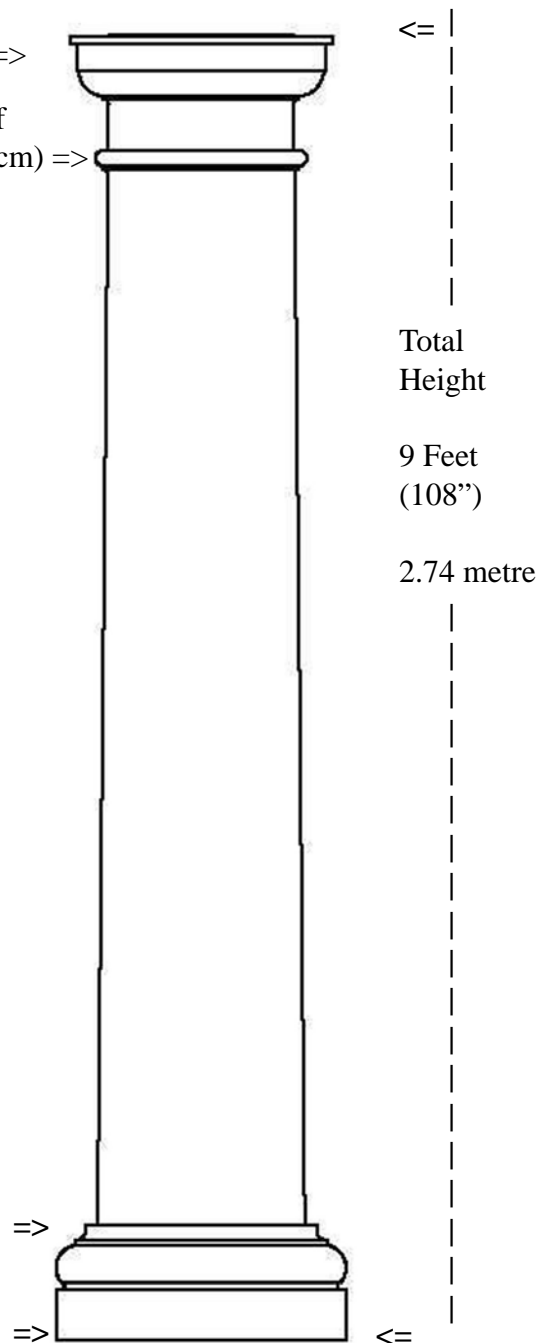
### Optional Cuts

A B C D



- A = Half column
- B = 3/4 Outside Corner
- C = Wall Cover Engaged
- D = 1/4 Column Inside Corner
- E = Engaged any percentage

Base & Plinth  
8-1/4" (20.9cm)



Weight Shaft 181 lb (82.17 Kg)  
Load o/c to 20,000lbs (9.07m tons)

\* *assembly required, drawing not to scale*

\* *For Load Application check with your structural engineer for suitability in your local area*

\* *All specifications subject to change without notice, Final products & Measurements may vary from this brochure*



Imperial Productions®

1-800-399-7585

Imperial Productions & Distribution Inc Toronto / New York

MAY-21

email sales@imperialproductions.com copyright 2016 MRDCI All Rights Reserved



# Imperial Productions® Request for Quote

Download, Fill-in & Email to [sales@imperialproductions.com](mailto:sales@imperialproductions.com)

Name / Company: \_\_\_\_\_

Phone \_\_\_\_\_ Email \_\_\_\_\_

Billing Address: \_\_\_\_\_

City: \_\_\_\_\_ Prov / State \_\_\_\_\_

PC / Zip Code \_\_\_\_\_

Ship to Address: \_\_\_\_\_

City: \_\_\_\_\_ Prov / State \_\_\_\_\_

PC / Zip Code \_\_\_\_\_

Product Code: \_\_\_\_\_

Quantity: \_\_\_\_\_

Notes: \_\_\_\_\_



Imperial Productions®

1-800-399-7585

Imperial Productions & Distribution Inc Toronto / New York

email [sales@imperialproductions.com](mailto:sales@imperialproductions.com) copyright 2016 MRDCI All Rights Reserved