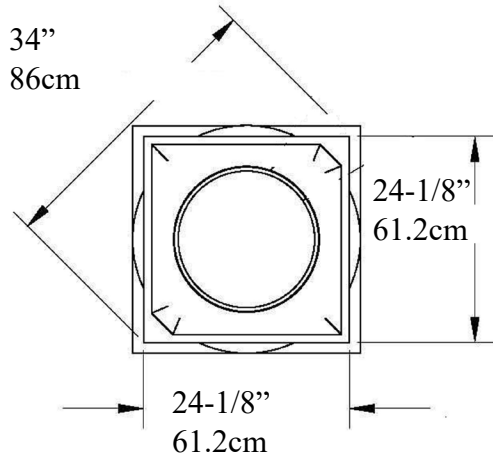


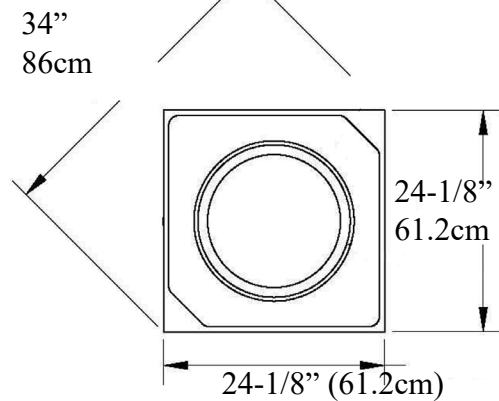


Tuscan Column Non Tapered IPTUS0918SNT-TCTB Fiberglass

Tuscan Capital EconPolymert™



Tuscan Base EconPolymert™



Optional Cuts

A B C D



- A = Half column
- B = 3/4 Outside Corner
- C = Wall Cover Engaged
- D = 1/4 Column Inside Corner
- E = Engaged any percentage

Cap 10-1/8" (25.7cm)

Optional Astragal=>

Top of Shaft
Minimum
Inside Diameter
15-1/2" (39.37cm)

Outside Diameter
17-1/2" (44.45cm)

Bottom of Column
Outside Diameter
17-1/2"
44.45cm

Base & Plinth
10-1/8" (25.7cm)

Total
Height
9 Feet
(108")

2.743
meter

Shaft weight 153lbs (69.4kg)
Center Loads to 20,000lbs (9.07m tons)

* *assembly required, drawing not to scale*

* *For Load Application check with your structural engineer for suitability in your local area*

* *All specifications subject to change without notice, Final products & Measurements may vary from this brochure*



Imperial Productions®

1-800-399-7585

Imperial Productions & Distribution Inc Toronto / New York

JUL-21

email sales@imperialproductions.com copyright 2016 MRDCI All Rights Reserved



Imperial Productions® Request for Quote

Download, Fill-in & Email to sales@imperialproductions.com

Name / Company: _____

Phone _____ Email _____

Billing Address: _____

City: _____ Prov / State _____

PC / Zip Code _____

Ship to Address: _____

City: _____ Prov / State _____

PC / Zip Code _____

Product Code: _____

Quantity: _____

Notes: _____



Imperial Productions®

1-800-399-7585

Imperial Productions & Distribution Inc Toronto / New York

email sales@imperialproductions.com copyright 2016 MRDCI All Rights Reserved