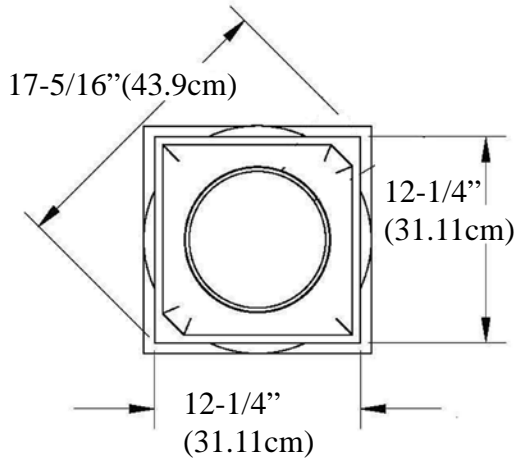




Tuscan Smooth Tapered Column

IPPC0610S-TBTC PolyComp™

Tuscan Capital



Cap 3-1/8" (7.93cm)=>

Astragal =>

Top of Column
Inside Diameter
7-1/4" (18.41cm)

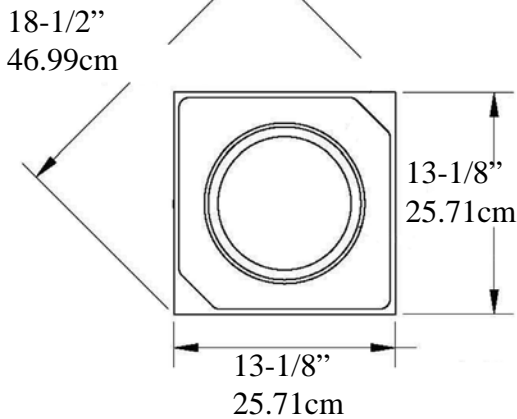
Outside Diameter
8" (20.32cm)

Bottom of Column
Inside Diameter
8-7/8" (22.54cm)

Outside Diameter
9-5/8" (24.44cm)

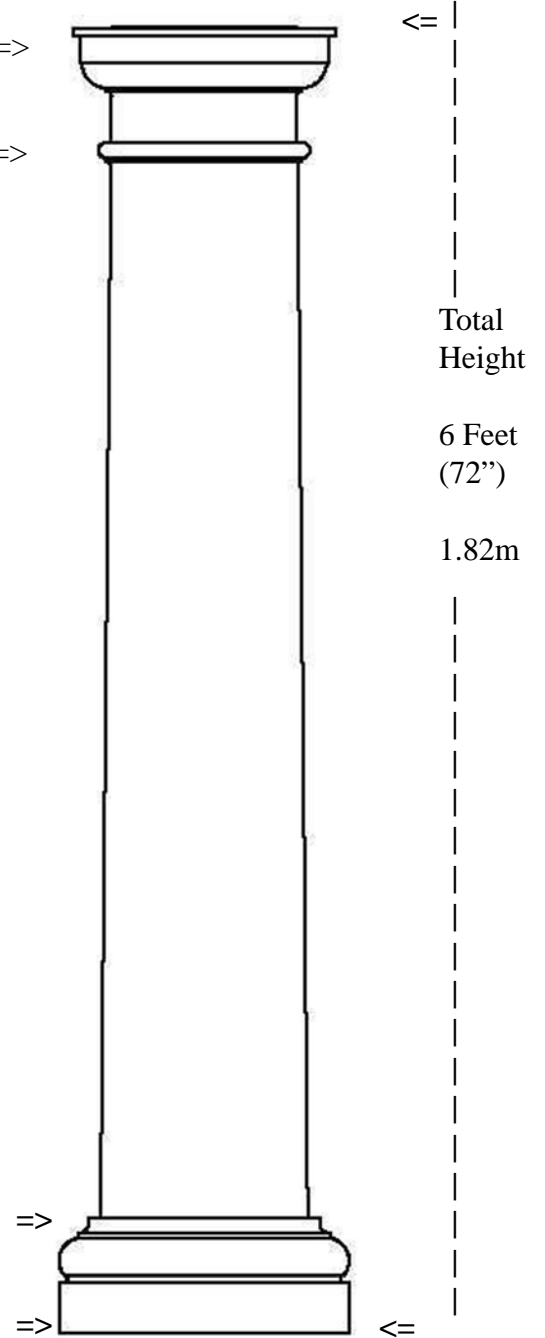
Taper Ends
from Bottom
@ 6"
(15.24cm)

Tuscan Base



Base & Plinth
5-5/8" (14.28cm)

Weight 80 lb (36.287 kg)
Load Bearing to 14,000lbs (6.3503m tons)
approx material thickness 3/8" (.9525cm)



* *assembly required, drawing not to scale*

* *For Load Application check with your structural engineer for suitability in your local area*

* All specifications subject to change without notice, Final products & Measurements may vary from this brochure



Imperial Productions®

1-800-399-7585

Imperial Productions & Distribution Inc Toronto / New York

email sales@imperialproductions.com copyright 2016 MRDCI All Rights Reserved

MAY-21



Imperial Productions® Request for Quote

Download, Fill-in & Email to sales@imperialproductions.com

Name / Company: _____

Phone _____ Email _____

Billing Address: _____

City: _____ Prov / State _____

PC / Zip Code _____

Ship to Address: _____

City: _____ Prov / State _____

PC / Zip Code _____

Product Code: _____

Quantity: _____

Notes: _____



Imperial Productions®

1-800-399-7585

Imperial Productions & Distribution Inc Toronto / New York

email sales@imperialproductions.com copyright 2016 MRDCI All Rights Reserved