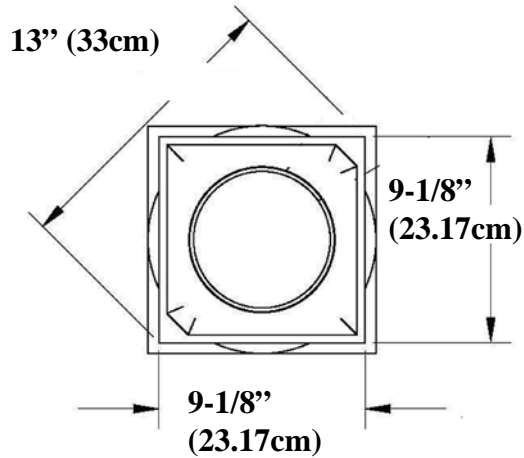




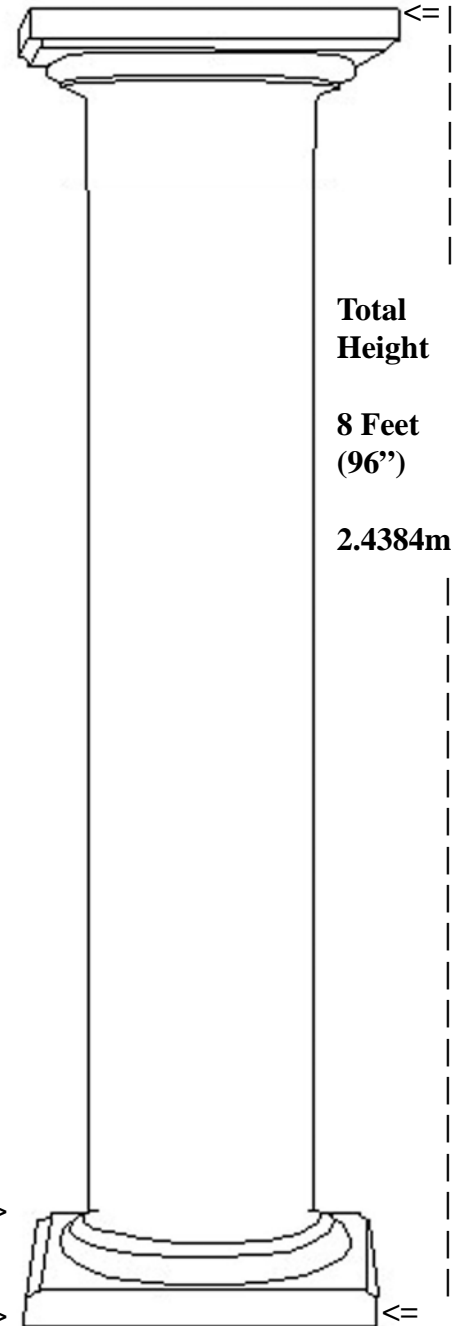
Tuscan Column

IPPC0808SNT-TBTC PolyComp™

Tuscan Capital



Cap 2-1/2" (6.35cm) =>

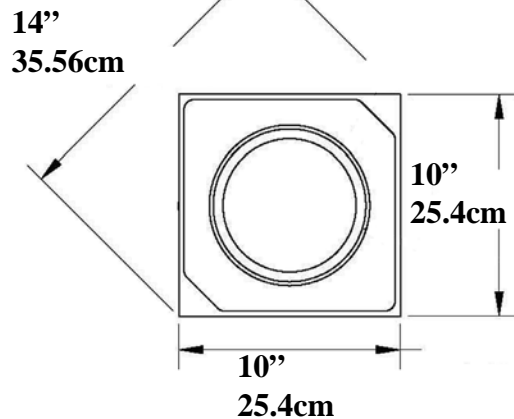


Shaft

Inside Diameter
6-7/8" (17.46cm)

Outside Diameter
7-5/8" (19.36cm)

Tuscan Base



Shaft Weight 60 lb

Load Bearing to 10,000lbs (4.5359m tons)
approx material thickness 3/8" (.9525cm)

Base & Plinth
4-1/8" (10.47cm)

* assembly required, drawing not to scale

* For Load Application check with your structural engineer for suitability in your local area

* All specifications subject to change without notice, Final products & Measurements may vary from this brochure



Imperialproductions.com

1-800-399-7585

Imperial Productions & Distribution Inc Toronto / New York

email sales@imperialproductions.com copyright 2016 MRDCI All Rights Reserved

FEB-21



Imperial Productions® Request for Quote

Download, Fill-in & Email to sales@imperialproductions.com

Name / Company: _____

Phone _____ Email _____

Billing Address: _____

City: _____ Prov / State _____

PC / Zip Code _____

Ship to Address: _____

City: _____ Prov / State _____

PC / Zip Code _____

Product Code: _____

Quantity: _____

Notes: _____



Imperial Productions®

1-800-399-7585

Imperial Productions & Distribution Inc Toronto / New York

email sales@imperialproductions.com copyright 2016 MRDCI All Rights Reserved