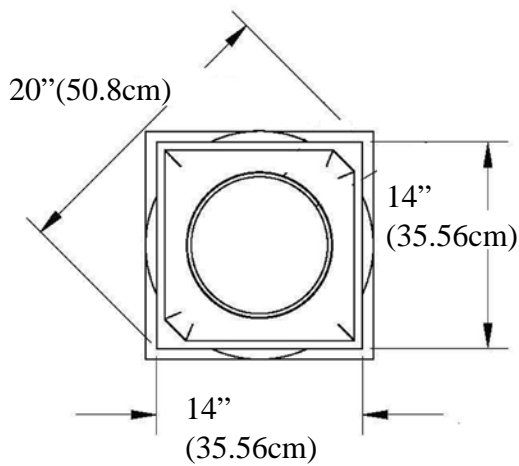




Tuscan Column

IPPC0812S-TBTC PolyComp™

Tuscan Capital

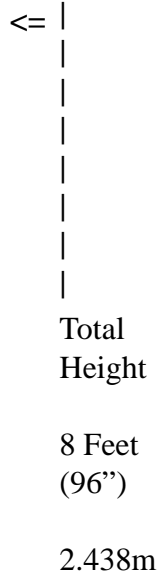


Cap 4-1/2" (11.4cm)

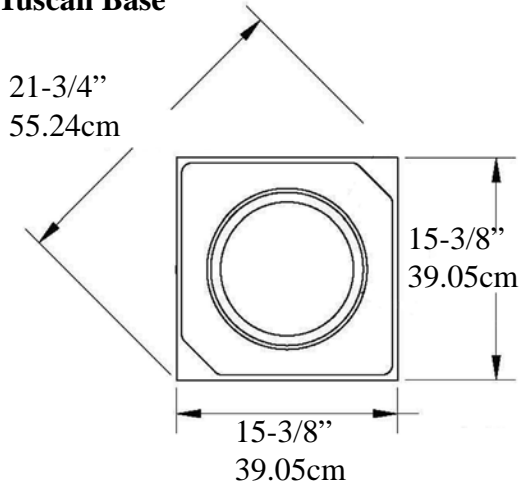
Astragal =>

Top of Column
Inside Diameter
8-5/8" (21.9cm)

Outside Diameter
9-3/8" (23.81cm)



Tuscan Base



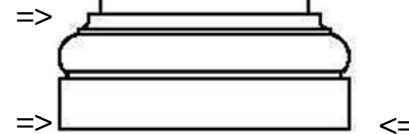
Bottom of Column
Inside Diameter
10-3/4" (27.3cm)

Outside Diameter
11-1/2" (29.21cm)

Taper Ends
from Bottom
@ 32"
(81.28cm)

Weight 100 lb (45.359 kg)
Load Bearing to 18,000lbs (8.1647m tons)
approx material thickness 3/8" (.9525cm)

Base & Plinth
6-5/16" (16.04cm)



* All specifications subject to change without notice, Final products & Measurements may vary from this brochure

* For Load Application check with your structural engineer for suitability in your local area

* assembly required, drawing not to scale



Imperial Productions®

1-800-399-7585

Imperial Productions & Distribution Inc Toronto / New York

email sales@imperialproductions.com copyright 2016 MRDCI All Rights Reserved

MAR-2019



Imperial Productions® Request for Quote

Download, Fill-in & Email to sales@imperialproductions.com

Name / Company: _____

Phone _____ Email _____

Billing Address: _____

City: _____ Prov / State _____

PC / Zip Code _____

Ship to Address: _____

City: _____ Prov / State _____

PC / Zip Code _____

Product Code: _____

Quantity: _____

Notes: _____



Imperial Productions®

1-800-399-7585

Imperial Productions & Distribution Inc Toronto / New York

email sales@imperialproductions.com copyright 2016 MRDCI All Rights Reserved