



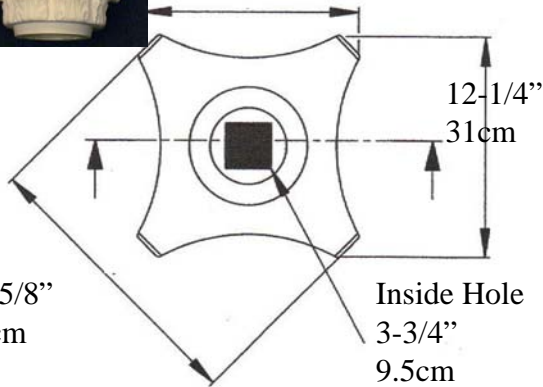
# IPPC0908S-ABRC - Load Bearing FRP-PolyComp™ Roman Corinthian Smooth Tapered

## Roman Corinthian Capital

Built in Load Bearing Plug



12-1/4"  
31cm

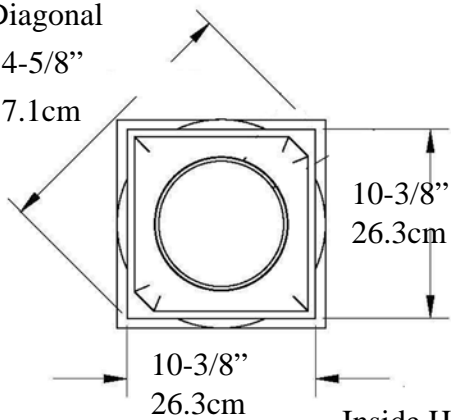


## Attic Base (Hollow - Wraps Shaft)

Diagonal

14-5/8"

37.1cm



Roman Corinthian  
Height

8-1/2" (21.5cm) =>

Bottom Ring

6-1/16" (15.4cm)

Shaft Astragal =>

7-5/8" (19.36cm)

Top of Shaft

Outside Diameter

6-1/8" (15.5cm)

Inside Diameter

5-3/8" (13.65cm)

Bottom of Shaft

Outside Diameter

7-5/8"

19.36cm

Weight 92 lb

41.73 Kg

max Load 10,000lbs

4.5359mtons applied to  
middle of shaft

Attic Base & Plinth =>

4-5/8"

11.74cm



Total  
Height  
111-1/2"  
283cm

Taper Ends  
26"  
66cm  
from Bottom

\* assembly required - cut to astragal by others,

\* All specifications subject to change without notice, Final products & Measurements may vary from this brochure

*drawing not to scale*



Imperial Productions®

1-800-399-7585

Imperial Productions & Distribution Inc Toronto / New York

email sales@imperialproductions.com copyright 2016 MRDCI All Rights Reserved

AUG-21



# Imperial Productions® Request for Quote

Download, Fill-in & Email to [sales@imperialproductions.com](mailto:sales@imperialproductions.com)

Name / Company: \_\_\_\_\_

Phone \_\_\_\_\_ Email \_\_\_\_\_

Billing Address: \_\_\_\_\_

City: \_\_\_\_\_ Prov / State \_\_\_\_\_

PC / Zip Code \_\_\_\_\_

Ship to Address: \_\_\_\_\_

City: \_\_\_\_\_ Prov / State \_\_\_\_\_

PC / Zip Code \_\_\_\_\_

Product Code: \_\_\_\_\_

Quantity: \_\_\_\_\_

Notes: \_\_\_\_\_



Imperial Productions®

1-800-399-7585

Imperial Productions & Distribution Inc Toronto / New York

email [sales@imperialproductions.com](mailto:sales@imperialproductions.com) copyright 2016 MRDCI All Rights Reserved