



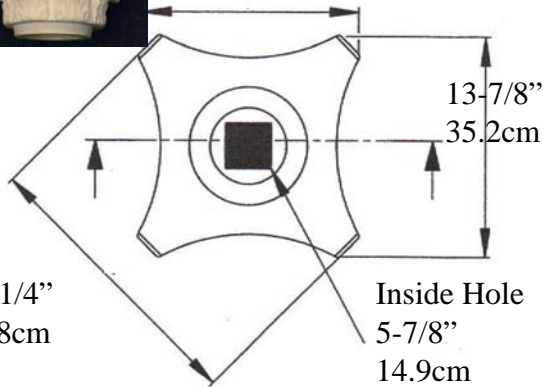
IPPC0910S-ABRC - Load Bearing FRP-PolyComp™ Roman Corinthian Smooth Tapered

Roman Corinthian Capital

Built in Load Bearing Plug



13-7/8"
35.2cm

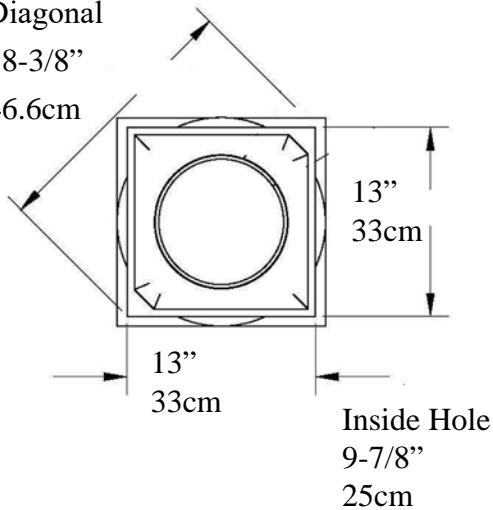


Attic Base (Hollow - Wraps Shaft)

Diagonal

18-3/8"

46.6cm



Roman Corinthian
Height

11-7/8" (30cm) =>

Bottom Ring

8-1/4" (15.4cm)

Shaft Astragal =>

9-5/8" (24.4cm)

Top of Shaft

Outside Diameter

8" (20.3cm)

Inside Diameter

7-1/4" (18.4cm)

Bottom of Shaft

Outside Diameter

9-5/8"

24.4cm

Weight 126 lb

57 Kg

max Load 14,000lbs

6.35 mtons applied to
middle of shaft

Attic Base with Plinth =>

5-5/8"

14.28cm



Total
Height
114"
289cm

Taper Ends
24"
60.96cm
from Bottom

* *assembly required - cut to astragal by others,*

* All specifications subject to change without notice, Final products & Measurements may vary from this brochure

drawing not to scale



Imperial Productions®

1-800-399-7585

Imperial Productions & Distribution Inc Toronto / New York

email sales@imperialproductions.com copyright 2016 MRDCI All Rights Reserved

AUG-21



Imperial Productions® Request for Quote

Download, Fill-in & Email to sales@imperialproductions.com

Name / Company: _____

Phone _____ Email _____

Billing Address: _____

City: _____ Prov / State _____

PC / Zip Code _____

Ship to Address: _____

City: _____ Prov / State _____

PC / Zip Code _____

Product Code: _____

Quantity: _____

Notes: _____



Imperial Productions®

1-800-399-7585

Imperial Productions & Distribution Inc Toronto / New York

email sales@imperialproductions.com copyright 2016 MRDCI All Rights Reserved