



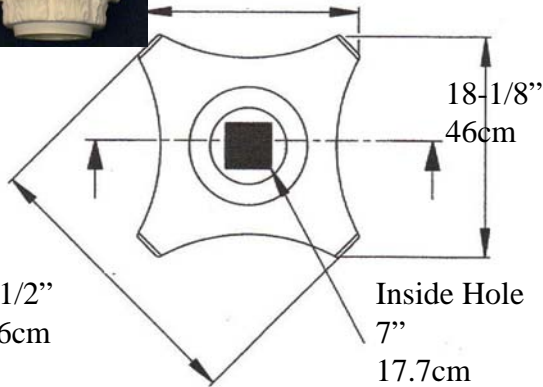
# IPPC0912S-ABRC - Load Bearing FRP-PolyComp™ Roman Corinthian Smooth Tapered

## Roman Corinthian Capital

Built in Load Bearing Plug



18-1/8"  
46cm



23-1/2"  
59.6cm

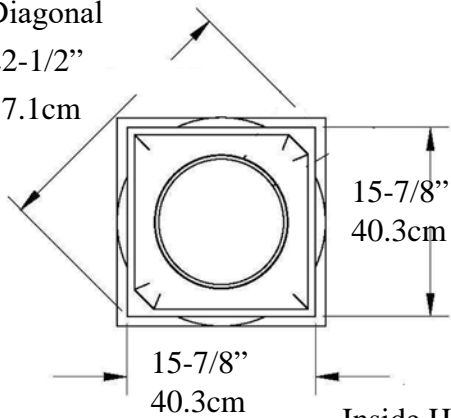
Inside Hole  
7"  
17.7cm

## Attic Base (Hollow - Wraps Shaft)

Diagonal

22-1/2"

57.1cm



Inside Hole  
12"  
30.4cm



Roman Corinthian  
Height

14-3/4" (37.4cm)=>

Bottom Ring

9-7/8" (25cm)

Shaft Astragal =>

11-1/2" (29.2cm)

Top of Shaft

Outside Diameter

9-1/2" (24.13cm)

Inside Diameter

8-3/4" (22.2cm)

Bottom of Shaft

Outside Diameter

11-1/2"

29.2cm

Weight 193lb

87.5 Kg

max Load 18,000lbs

8.16 mtons applied to  
middle of shaft

Attic Base with Plinth =>

6-3/8"

16.1cm



Total  
Height  
115"  
292cm

Taper Ends  
29"  
73.66cm  
from Bottom

\* *assembly required - cut to astragal by others,*

\* All specifications subject to change without notice, Final products & Measurements may vary from this brochure

*drawing not to scale*



Imperial Productions®

1-800-399-7585

Imperial Productions & Distribution Inc Toronto / New York

email sales@imperialproductions.com copyright 2016 MRDCI All Rights Reserved

AUG-21



# Imperial Productions® Request for Quote

Download, Fill-in & Email to [sales@imperialproductions.com](mailto:sales@imperialproductions.com)

Name / Company: \_\_\_\_\_

Phone \_\_\_\_\_ Email \_\_\_\_\_

Billing Address: \_\_\_\_\_

City: \_\_\_\_\_ Prov / State \_\_\_\_\_

PC / Zip Code \_\_\_\_\_

Ship to Address: \_\_\_\_\_

City: \_\_\_\_\_ Prov / State \_\_\_\_\_

PC / Zip Code \_\_\_\_\_

Product Code: \_\_\_\_\_

Quantity: \_\_\_\_\_

Notes: \_\_\_\_\_



Imperial Productions®

1-800-399-7585

Imperial Productions & Distribution Inc Toronto / New York

email [sales@imperialproductions.com](mailto:sales@imperialproductions.com) copyright 2016 MRDCI All Rights Reserved