



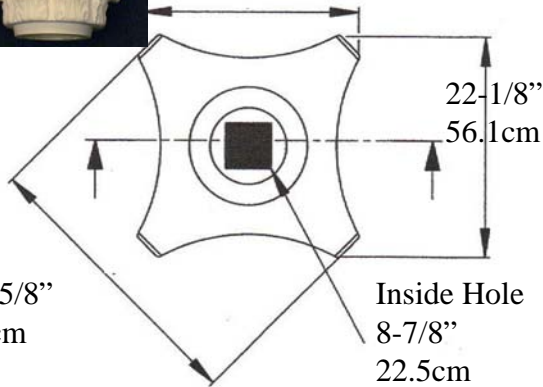
# IPPC0914S-ABRC - Load Bearing FRP-PolyComp™ Roman Corinthian Smooth Tapered

## Roman Corinthian Capital

Built in Load Bearing Plug



22-1/8"  
56.1cm



28-5/8"  
72cm

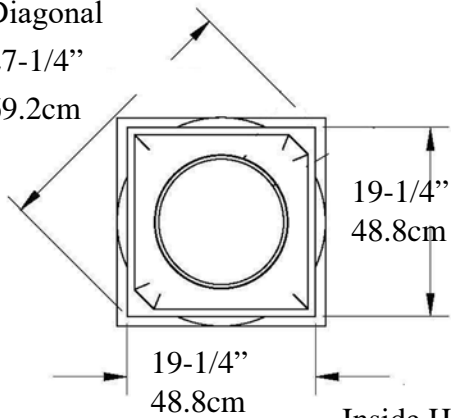
Inside Hole  
8-7/8"  
22.5cm

## Attic Base (Hollow - Wraps Shaft)

Diagonal

27-1/4"

69.2cm



Inside Hole  
14-3/8"  
36.5cm



Roman Corinthian  
Height

17-1/2" (44.4cm)=>

Bottom Ring

12-1/2" (31.7cm)

Shaft Astragal =>

13-7/8" (35.24cm)

Top of Shaft

Outside Diameter

12" (30.48cm)

Inside Diameter

11-1/4" (28.57cm)

Bottom of Shaft

Outside Diameter

13-7/8"

35.24cm

Weight 280lb

127 Kg

max Load 20,000lbs

9.07mtons applied to  
middle of shaft

Attic Base with Plinth =>

8-3/8"

21.27cm



Total  
Height  
117-3/8"  
298cm

Taper Ends  
34"  
86.36cm  
from Bottom

\* *assembly required - cut to astragal by others,*

\* All specifications subject to change without notice, Final products & Measurements may vary from this brochure

*drawing not to scale*



Imperial Productions®

1-800-399-7585

Imperial Productions & Distribution Inc Toronto / New York

email sales@imperialproductions.com copyright 2016 MRDCI All Rights Reserved

AUG-21



# Imperial Productions® Request for Quote

Download, Fill-in & Email to [sales@imperialproductions.com](mailto:sales@imperialproductions.com)

Name / Company: \_\_\_\_\_

Phone \_\_\_\_\_ Email \_\_\_\_\_

Billing Address: \_\_\_\_\_

City: \_\_\_\_\_ Prov / State \_\_\_\_\_

PC / Zip Code \_\_\_\_\_

Ship to Address: \_\_\_\_\_

City: \_\_\_\_\_ Prov / State \_\_\_\_\_

PC / Zip Code \_\_\_\_\_

Product Code: \_\_\_\_\_

Quantity: \_\_\_\_\_

Notes: \_\_\_\_\_



Imperial Productions®

1-800-399-7585

Imperial Productions & Distribution Inc Toronto / New York

email [sales@imperialproductions.com](mailto:sales@imperialproductions.com) copyright 2016 MRDCI All Rights Reserved