



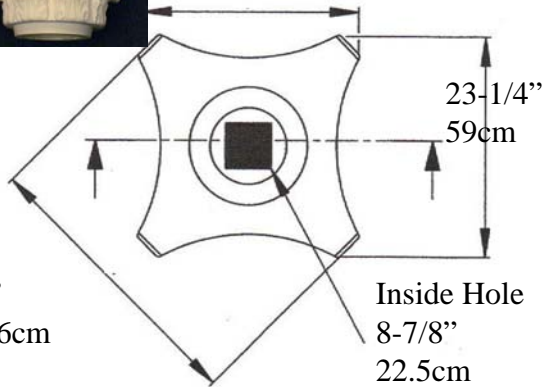
IPPC0916S-ABRC - Load Bearing FRP-PolyComp™ Roman Corinthian Smooth Tapered

Roman Corinthian Capital

Built in Load Bearing Plug



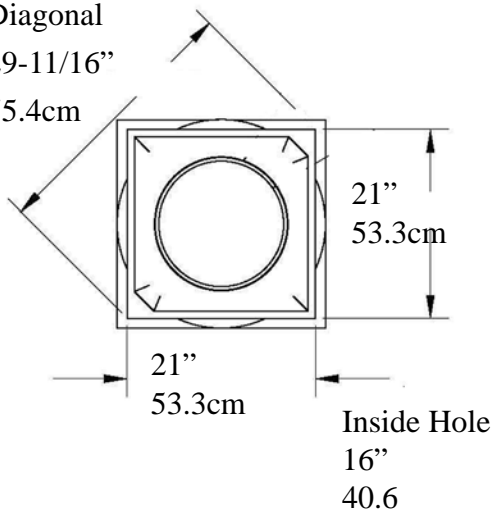
23-1/4"
59cm



Attic Base (Hollow - Wraps Shaft)

Diagonal
29-11/16"

75.4cm



Roman Corinthian
Height

17-1/4" (43.8cm)=>

Bottom Ring

12-1/4" (31cm)

Shaft Astragal =>

15-3/4" (40cm)

Top of Shaft

Outside Diameter

13-3/4" (34.9cm)

Inside Diameter

12-3/4" (32.38cm)

Bottom of Shaft

Outside Diameter

15-3/4"

40cm

Weight 393 lb

179 Kg

max Load 20,000lbs

9.017mtons applied to
middle of shaft

Attic Base & Plinth =>

8-3/4" (22.2cm) =>



Total
Height
116-3/4"
296cm

Taper Ends
43"
109.2cm
from Bottom

* *assembly required - cut to astragal by others,*

* All specifications subject to change without notice, Final products & Measurements may vary from this brochure

drawing not to scale



Imperial Productions®

1-800-399-7585

Imperial Productions & Distribution Inc Toronto / New York

email sales@imperialproductions.com copyright 2016 MRDCI All Rights Reserved

AUG-21



Imperial Productions® Request for Quote

Download, Fill-in & Email to sales@imperialproductions.com

Name / Company: _____

Phone _____ Email _____

Billing Address: _____

City: _____ Prov / State _____

PC / Zip Code _____

Ship to Address: _____

City: _____ Prov / State _____

PC / Zip Code _____

Product Code: _____

Quantity: _____

Notes: _____



Imperial Productions®

1-800-399-7585

Imperial Productions & Distribution Inc Toronto / New York

email sales@imperialproductions.com copyright 2016 MRDCI All Rights Reserved