



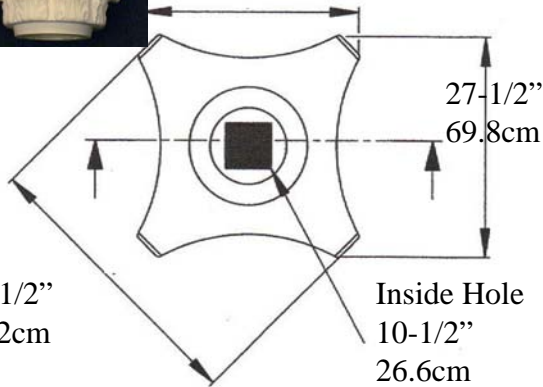
IPPC0918S-ABRC - Load Bearing FRP-PolyComp™ Roman Corinthian Smooth Tapered

Roman Corinthian Capital

Built in Load Bearing Plug



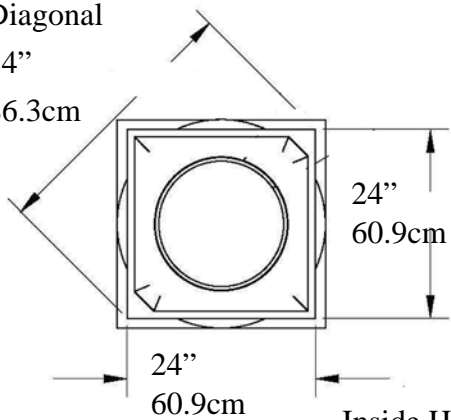
27-1/2"
69.8cm



Attic Base (Hollow - Wraps Shaft)

Diagonal
34"

86.3cm



Roman Corinthian
Height

20-1/4" (51.4cm)=>

Bottom Ring

15-3/4" (40cm)

Shaft Astragal =>

17-1/4" (43.8cm)

Top of Shaft

Outside Diameter

15-3/8" (39.05cm)

Inside Diameter

14-3/8" (36.5cm)

Bottom of Shaft

Outside Diameter

17-1/4"

43.8cm

Weight

349 lb

158 Kg

max Load 20,000lbs

9.017mtons applied to

middle of shaft =>

Attic Base & Plinth =>

10-1/4" (26cm)



Total
Height
116"
296cm

Taper Ends
24"
60.96cm
from Bottom

* *assembly required - cut to astragal by others,*

* All specifications subject to change without notice, Final products & Measurements may vary from this brochure

drawing not to scale



Imperial Productions®

1-800-399-7585

Imperial Productions & Distribution Inc Toronto / New York

email sales@imperialproductions.com copyright 2016 MRDCI All Rights Reserved

AUG-21



Imperial Productions® Request for Quote

Download, Fill-in & Email to sales@imperialproductions.com

Name / Company: _____

Phone _____ Email _____

Billing Address: _____

City: _____ Prov / State _____

PC / Zip Code _____

Ship to Address: _____

City: _____ Prov / State _____

PC / Zip Code _____

Product Code: _____

Quantity: _____

Notes: _____



Imperial Productions®

1-800-399-7585

Imperial Productions & Distribution Inc Toronto / New York

email sales@imperialproductions.com copyright 2016 MRDCI All Rights Reserved