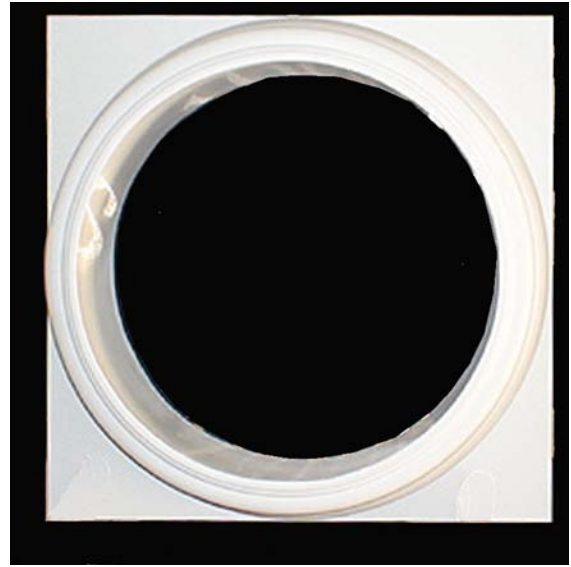
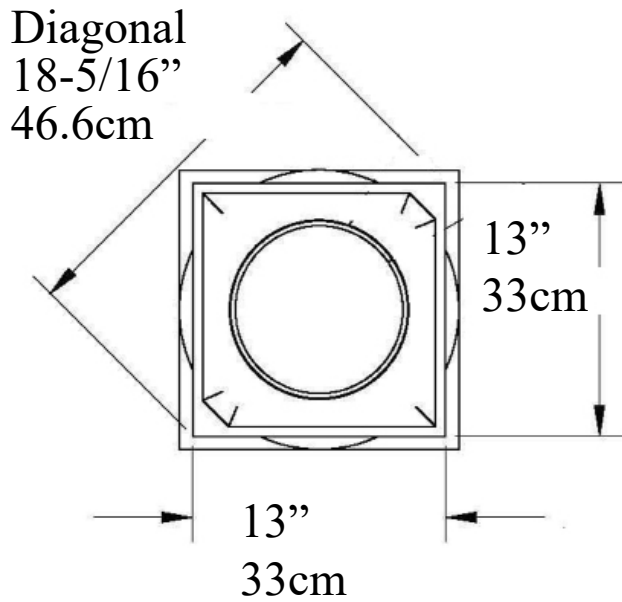




Attic Base

IPAB10 EconPolymer™



Hole fits a 9-5/8" (29.5cm) column
Circumference 30.23"

Total Height
5-1/2" (13.9cm)
Top Round: call
Plinth: call



Weight
2 lb
.91 kg

Made from Molds
Synthetic Polyurethane
Interior & Exterior Use
Insect, Rot, Water Resistant
Same Density as White Pine

* All specifications subject to change without notice,
Final products & Measurements may vary from this brochure Manufacturing tolerances +/- 1/8" (.31cm)



Imperial Productions®

1-800-399-7585

Imperial Productions & Distribution Inc.

email sales@imperialproductions.com copyright 2016 MRDCI All Rights Reserved

APR-23