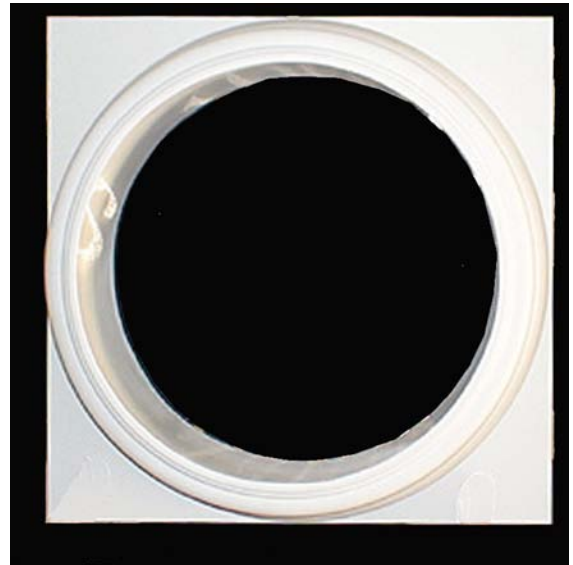
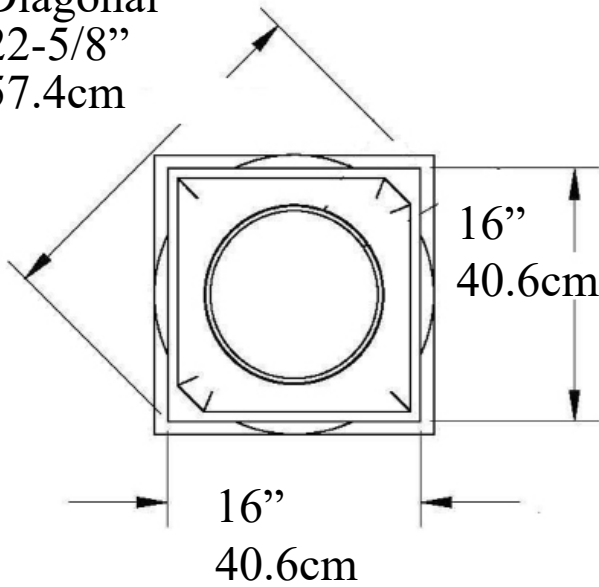




Attic Base IPAB12 EconPolymer™

Diagonal
22-5/8"
57.4cm



Hole fits column shaft
11-5/8" (29.5cm)
Circumference 36-1/2"

Total Height
6-1/2" (16.5cm)
Top Round: call
Plinth: call



Weight
3 lb
1.36 kg

Made from Molds
Synthetic Polyurethane
Interior & Exterior Use
Insect, Rot, Water Resistant
Same Density as White Pine

* All specifications subject to change without notice,
Final products & Measurements may vary from this brochure Manufacturing tolerences +/- 1/8" (.31cm)



Imperial Productions® 1-800-399-7585

Imperial Productions & Distribution Inc.

email sales@imperialproductions.com copyright 2016 MRDCI All Rights Reserved

APR-23