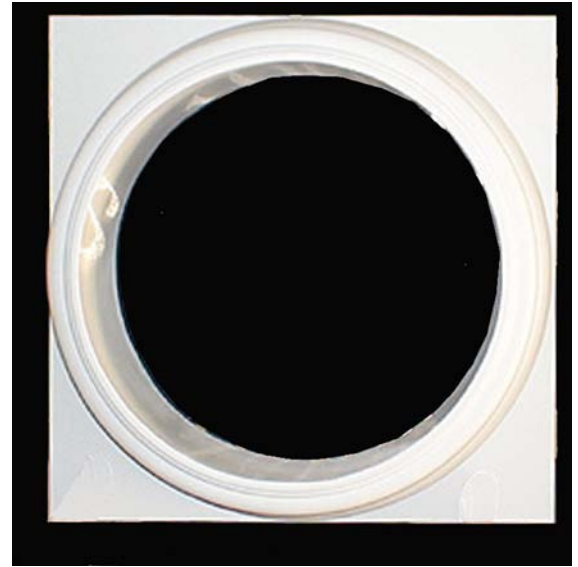
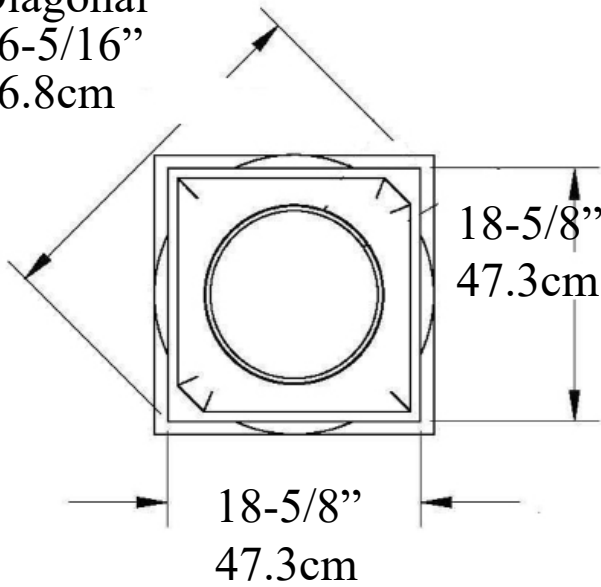




Attic Base

IPAB14 EconPolymer™

Diagonal
26-5/16"
66.8cm



Hole fits column shaft
13-5/8" (34.6cm)
Circumference 42.8"

Total Height

9-1/16" (23cm)

Top Round: call

Plinth: call



Imperial
Productions

Weight

4 lb

1.82 kg



Imperial
Productions

Made from Molds

Synthetic Polyurethane

Interior & Exterior Use

Insect, Rot, Water Resistant

Same Density as White Pine

* All specifications subject to change without notice,

Final products & Measurements may vary from this brochure Manufacturing tolerances +/- 1/8" (.31cm)



Imperial Productions®

1-800-399-7585

Imperial Productions & Distribution Inc.

email sales@imperialproductions.com copyright 2016 MRDCI All Rights Reserved

APR-23