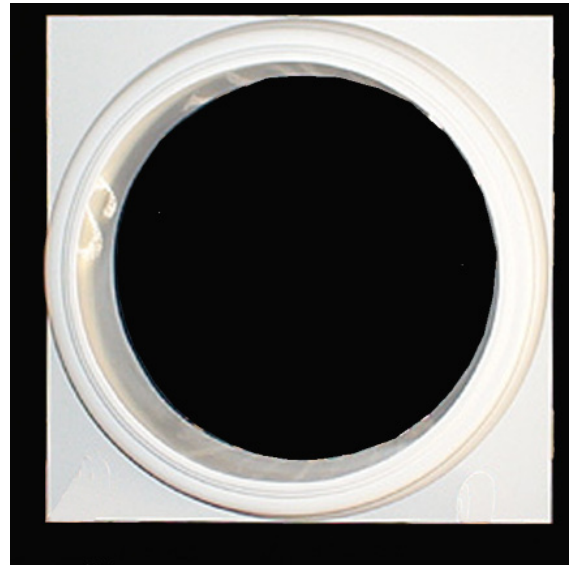
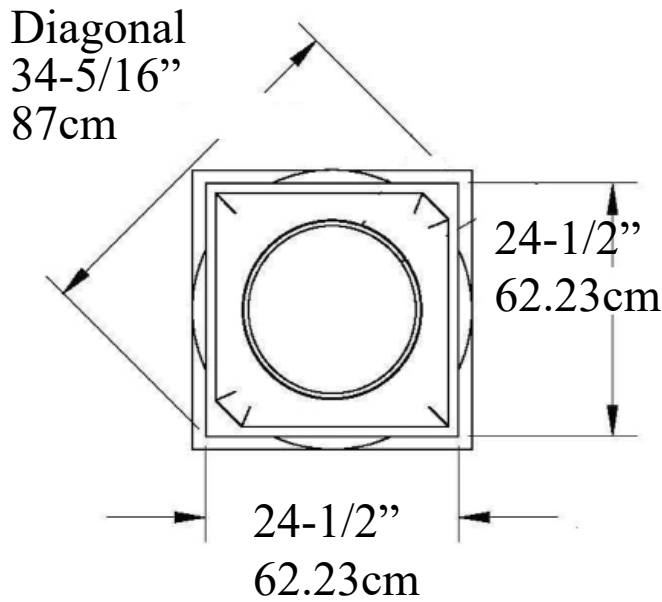




Attic Base

IPAB18 EconPolymer™



Hole 18" (45.72cm)
Circumference 56.55"

Total Height
11-1/4" (28.58cm)

Top Round: call
Plinth: call



Weight
17 lb
7.72 kg



Made from Molds
Synthetic Polyurethane
Interior & Exterior Use
Insect, Rot, Water Resistant
Same Density as White Pine

* All specifications subject to change without notice,
Final products & Measurements may vary from this brochure Manufacturing tolerences +- 1/8" (.31cm)



Imperial Productions®

1-800-399-7585

Imperial Productions & Distribution Inc.

email sales@imperialproductions.com copyright 2016 MRDCI All Rights Reserved

APR-23