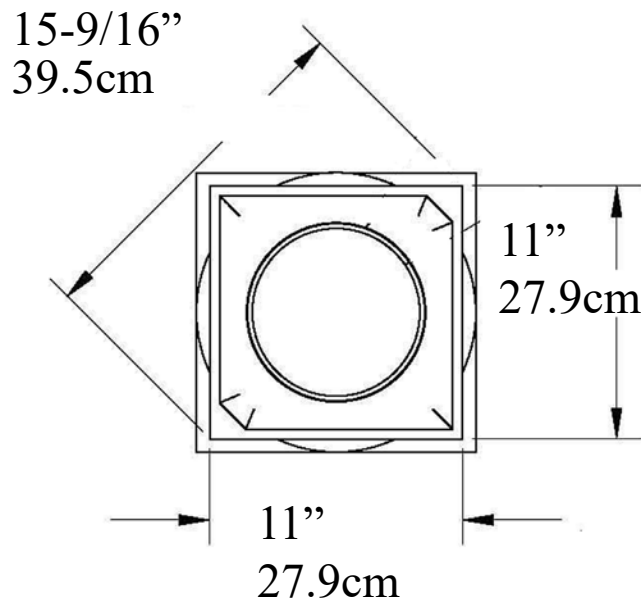




# Attic Base IPATTC100 ArchPolymer™

Martin Richards Design...  
COLLECTION



Total Height  
4-3/4" (12cm)  
Top Round: call  
Plinth: call



Weight  
1.1 lb  
.5 kg

### *Made from Molds*

High density Synthetic Polyurethane  
Interior & Exterior Use  
Insect, Rot, Water Resistant  
Same Density as White Pine

\* All specifications subject to change without notice,  
Final products & Measurements may vary from this brochure Manufacturing tolerances +/- 1/8" (.31cm)



Imperial Productions®

1-800-399-7585

Imperial Productions & Distribution Inc Toronto / New York

email sales@imperialproductions.com copyright 2016 MRDCI All Rights Reserved

Fall 2018