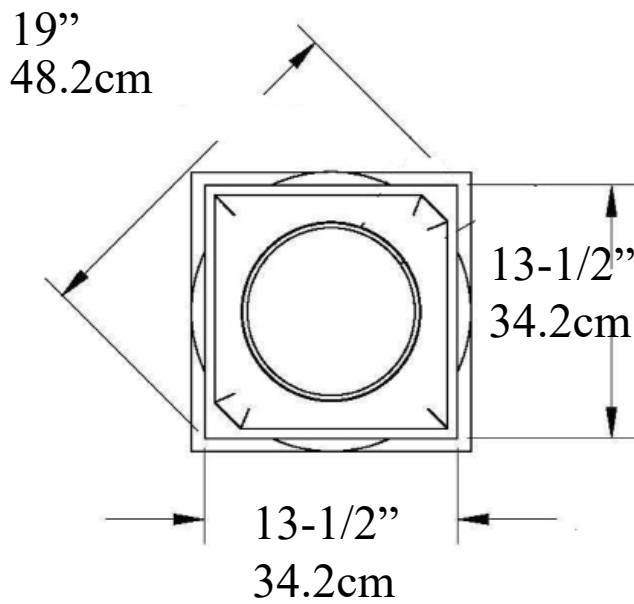




# Attic Base IPATTC101 ArchPolymer™



Hole 10-1/4" (26cm)  
Circumference  
32.2 inches

Total Height  
5-5/8" (14.2cm)  
Top Round: call  
Plinth: call



Weight  
27 lb  
12.26 kg



**Made from Molds**  
High density Synthetic Polyurethane  
Interior & Exterior Use  
Insect, Rot, Water Resistant  
Same Density as White Pine

\* All specifications subject to change without notice,  
Final products & Measurements may vary from this brochure Manufacturing tolerances +/- 1/8" (.31cm)



Imperial Productions® 1-800-399-7585  
Imperial Productions & Distribution Inc Toronto / New York  
email sales@imperialproductions.com copyright 2016 MRDCI All Rights Reserved

AUG-21



# Imperial Productions® Request for Quote

Download, Fill-in & Email to [sales@imperialproductions.com](mailto:sales@imperialproductions.com)

Name / Company: \_\_\_\_\_

Phone \_\_\_\_\_ Email \_\_\_\_\_

Billing Address: \_\_\_\_\_

City: \_\_\_\_\_ Prov / State \_\_\_\_\_

PC / Zip Code \_\_\_\_\_

Ship to Address: \_\_\_\_\_

City: \_\_\_\_\_ Prov / State \_\_\_\_\_

PC / Zip Code \_\_\_\_\_

Product Code: \_\_\_\_\_

Quantity: \_\_\_\_\_

Notes: \_\_\_\_\_



Imperial Productions®

1-800-399-7585

Imperial Productions & Distribution Inc Toronto / New York

email [sales@imperialproductions.com](mailto:sales@imperialproductions.com) copyright 2016 MRDCI All Rights Reserved