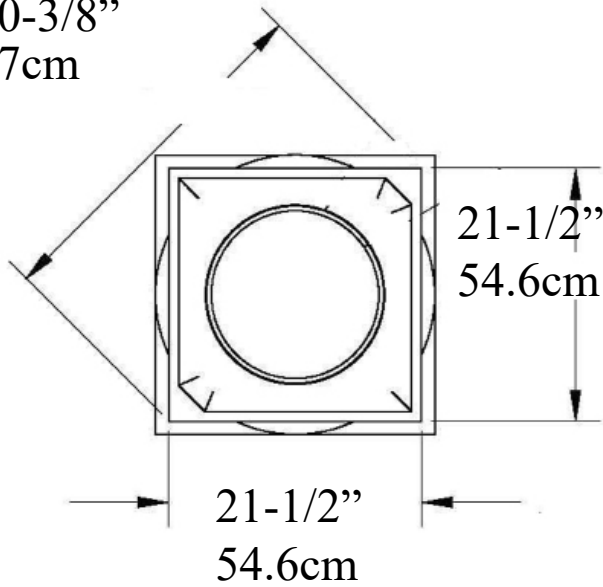




Attic Base IPATTC104 ArchPolymer™

Diagonal
30-3/8"
77cm



Hole 16-1/4" (41.2cm)
Circumference
51 inches

Total Height
9-1/2" (24.1cm)



Made from Molds

High density Synthetic Polyurethane
Interior & Exterior Use
Insect, Rot, Water Resistant
Same Density as White Pine

* All specifications subject to change without notice,
Final products & Measurements may vary from this brochure Manufacturing tolerances +/- 1/8" (.31cm)



Imperial Productions®

1-800-399-7585

Imperial Productions & Distribution Inc Toronto / New York

AUG-21

email sales@imperialproductions.com copyright 2016 MRDCI All Rights Reserved



Imperial Productions® Request for Quote

Download, Fill-in & Email to sales@imperialproductions.com

Name / Company: _____

Phone _____ Email _____

Billing Address: _____

City: _____ Prov / State _____

PC / Zip Code _____

Ship to Address: _____

City: _____ Prov / State _____

PC / Zip Code _____

Product Code: _____

Quantity: _____

Notes: _____



Imperial Productions®

1-800-399-7585

Imperial Productions & Distribution Inc Toronto / New York

email sales@imperialproductions.com copyright 2016 MRDCI All Rights Reserved