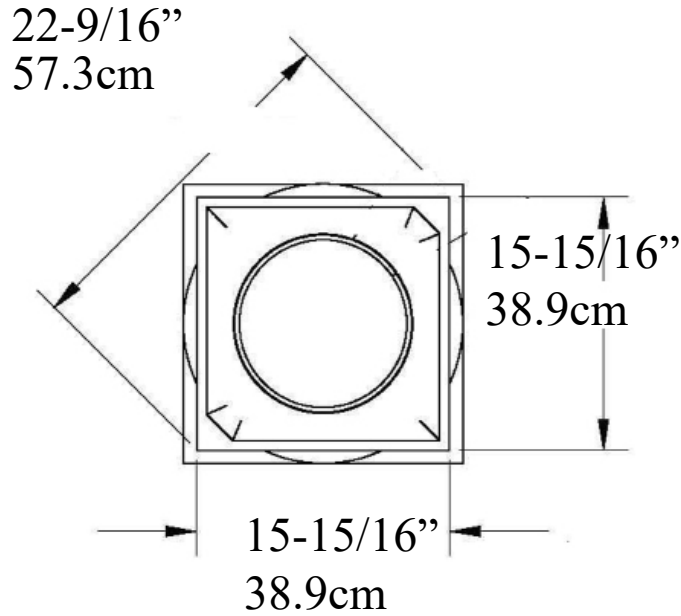




# Attic Base

## IPATTC122 ArchPolymer™



Hole 12-3/16" (30.9cm)  
Circumference  
38.29 inches

### Total Height

- 6-3/8" (16.1cm)
- Torus 4-1/2" (11.4cm)
- Plinth 1-7/8" (4.76cm)



Weight  
call



***Made from Molds***  
**High density Synthetic Polyurethane**  
**Interior & Exterior Use**  
**Insect, Rot, Water Resistant**  
**Same Density as White Pine**

\* All specifications subject to change without notice,  
 Final products & Measurements may vary from this brochure Manufacturing tolerances +/- 1/8" (.31cm)



Imperial Productions®

1-800-399-7585

Imperial Productions & Distribution Inc.

email sales@imperialproductions.com copyright 2016 MRDCI All Rights Reserved

APR-23