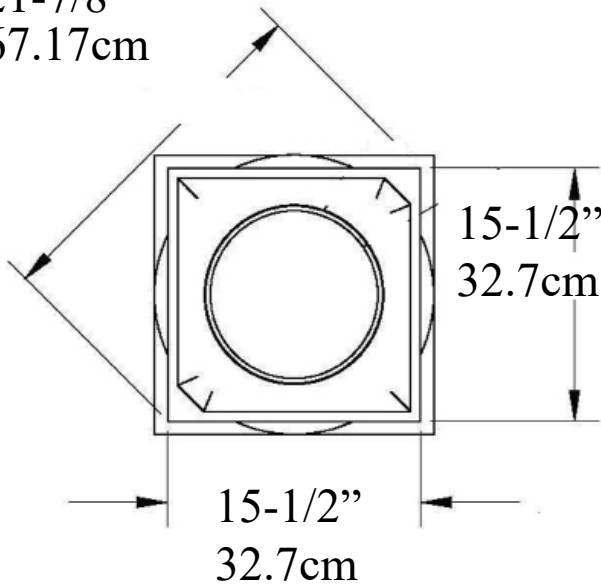




Attic Base IPATTC210

21-7/8"
67.17cm



Total Height

8-1/2" (21.6cm)

Round Torus

5-1/2" (13.9cm)

Square Plinth

3" (7.6cm)



Materials

ArchPolymer™

an artificial wood primed white easy to install with the approved adhesive and a brad nailer. Finish joining edges with poly spackling compound. Optional Class A fire rating available. Exterior & Interior use

GRG-NeoPlaster™

Much stronger than traditional plaster Class A fire rated product. Screw & glue into place. Priming by others. Interior use.

Zeament™

A heavy concrete based composite
Class A Fire Rated - Interior & Exterior Use



Hole 10-1/4" (25.7cm)

Hole Circumference

32.2 inches



* All specifications subject to change without notice,
Final products & Measurements may vary from this brochure Manufacturing tolerances +/- 1/8" (.31cm)



Imperial Productions®

1-800-399-7585

Imperial Productions & Distribution Inc.

email sales@imperialproductions.com copyright 2016 MRDCI All Rights Reserved

APR-23