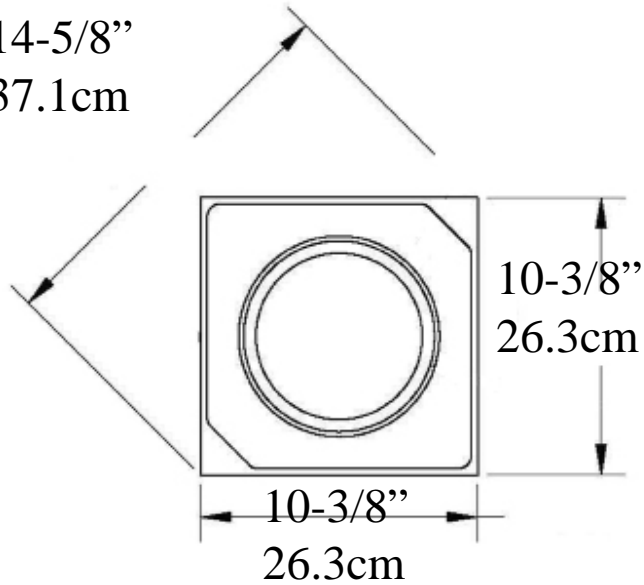




# Attic Base IPPCAB08 PolyComp(FRP)

14-5/8"  
37.1cm



Total Height  
4-5/8"  
11.74 cm



Plinth Height  
1-1/4" (3.17cm)

Round Height  
3-3/8" (8.57cm)

Hole 7-3/4" (19.6cm)

Circumference 24.34 inches

Weight 9 lb (4.09 kg)



\* All specifications subject to change without notice,  
Final products & Measurements may vary from this brochure Manufacturing tolerences +/- 1/8" (.31cm)



**Imperial Productions®**  
Imperial Productions & Distribution Inc.  
email sales@imperialproductions.com

1-800-399-7585

copyright 2016 MRDCI All Rights Reserved

APR-23