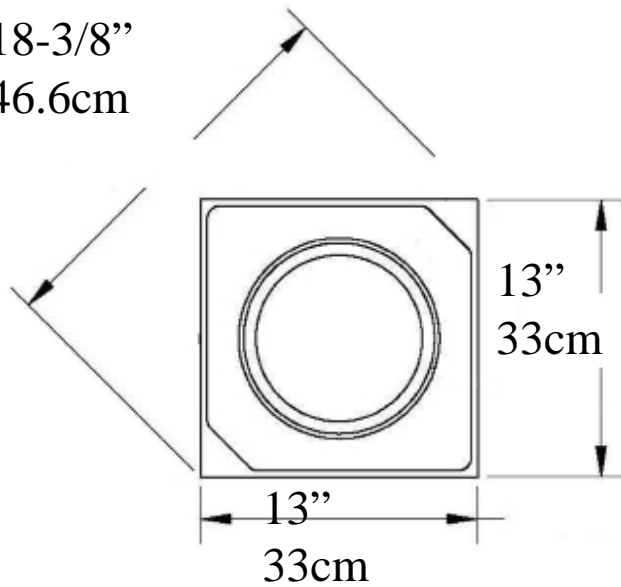




# Attic Base

## IPPCAB10 PolyComp(FRP)

18-3/8"  
46.6cm



Total Height  
5-5/8"  
14.28 cm

Plinth Height  
1-7/8"  
4.76cm

Round  
3-3/4"  
9.5cm



Hole 9-7/8" (25cm)

Circumference 31 inches

Weight 11 lb (4.98 kg)



\* All specifications subject to change without notice,  
Final products & Measurements may vary from this brochure Manufacturing tolerences +- 1/8" (.31cm)



Imperial Productions®

1-800-399-7585

Imperial Productions & Distribution Inc.

email sales@imperialproductions.com copyright 2016 MRDCI All Rights Reserved

APR-23