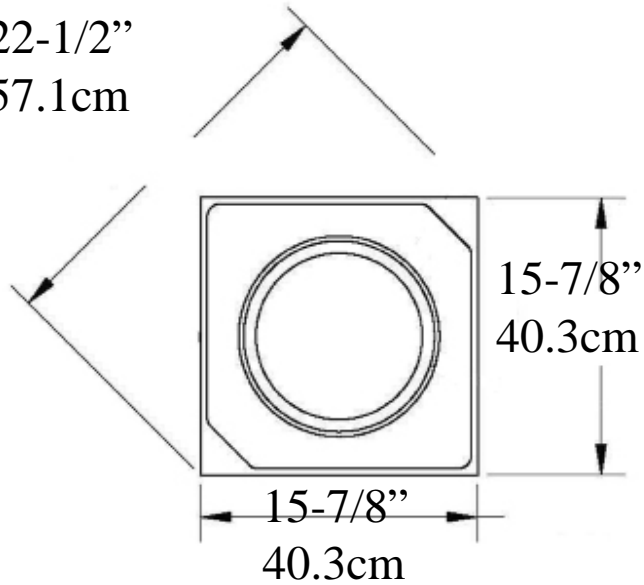




Attic Base

IPPCAB12 PolyComp(FRP)

22-1/2"
57.1cm



Height
Base & Plinth
6-3/8"
16.1 cm



Hole 12" (30.4cm)
Circumference
37.69 inches



Weight 12 lb (5.4 kg)

* All specifications subject to change without notice,
Final products & Measurements may vary from this brochure Manufacturing tolerences +- 1/8" (.31cm)



Imperial Productions®

1-800-399-7585

Imperial Productions & Distribution Inc Toronto / New York

email sales@imperialproductions.com copyright 2016 MRDCI All Rights Reserved

AUG-21



Imperial Productions® Request for Quote

Download, Fill-in & Email to sales@imperialproductions.com

Name / Company: _____

Phone _____ Email _____

Billing Address: _____

City: _____ Prov / State _____

PC / Zip Code _____

Ship to Address: _____

City: _____ Prov / State _____

PC / Zip Code _____

Product Code: _____

Quantity: _____

Notes: _____



Imperial Productions®

1-800-399-7585

Imperial Productions & Distribution Inc Toronto / New York

email sales@imperialproductions.com copyright 2016 MRDCI All Rights Reserved