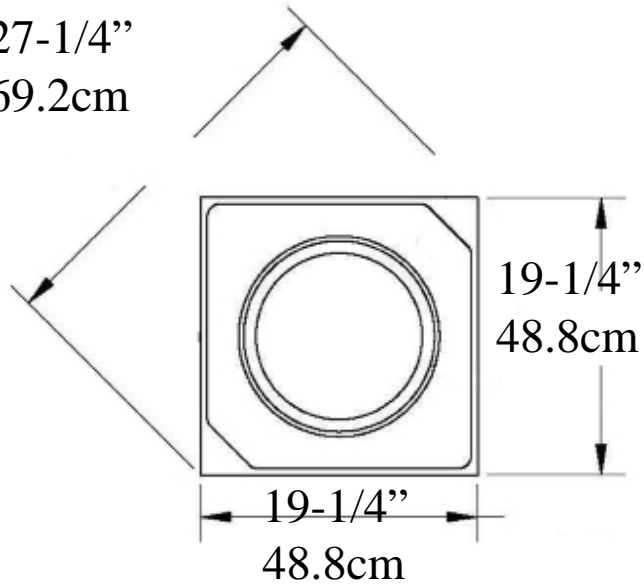




# Attic Base

## IPPCAB14 PolyComp(FRP)

27-1/4"  
69.2cm



Height  
Base & Plinth  
8-3/8"  
21.27 cm



Square Plinth  
1-7/8" (4.76cm)  
Round  
4-1/2" (11.4cm)

Hole 14-3/8" (36.5cm)

Circumference 45.16 inches

Weight 34 lb (15.44 kg)



\* All specifications subject to change without notice,  
Final products & Measurements may vary from this brochure Manufacturing tolerences +- 1/8" (.31cm)



Imperial Productions®

1-800-399-7585

Imperial Productions & Distribution Inc.

email sales@imperialproductions.com copyright 2016 MRDCI All Rights Reserved

APR-23