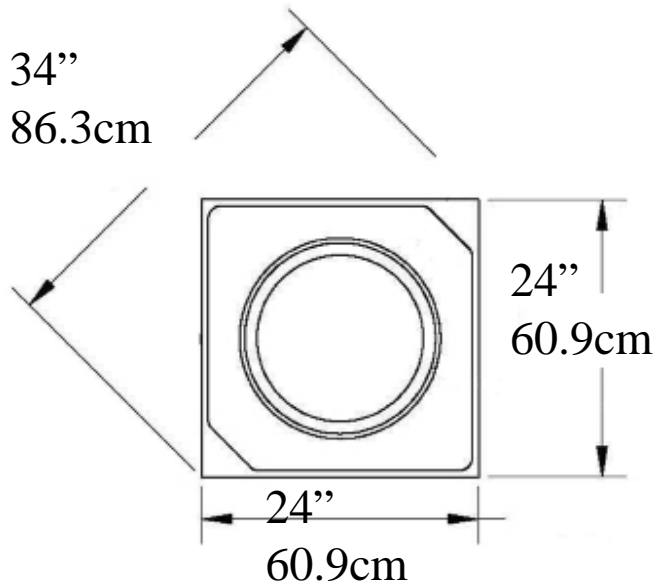




Attic Base

IPPCAB18 PolyComp(FRP)



Height
Base & Plinth
10-1/4"
26 cm



Hole 17-3/4" (45cm)

Circumference 55.76 inches
Weight 54 lb (24.5 kg)



Made from Calcium Carbonate (Plaster) and Resins
Decorative Use Interior and Exterior Applications

* All specifications subject to change without notice,
Final products & Measurements may vary from this brochure Manufacturing tolerences +- 1/8" (.31cm)



Imperial Productions®

1-800-399-7585

Imperial Productions & Distribution Inc.

email sales@imperialproductions.com copyright 2016 MRDCI All Rights Reserved

APR-23