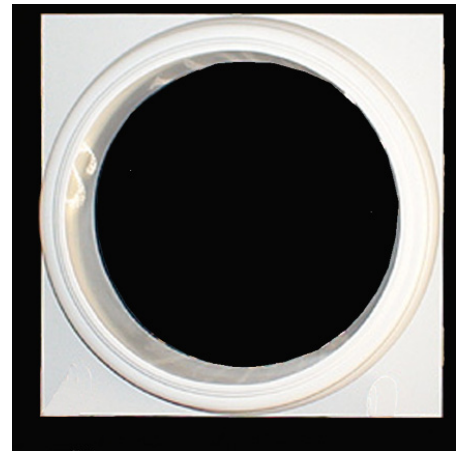
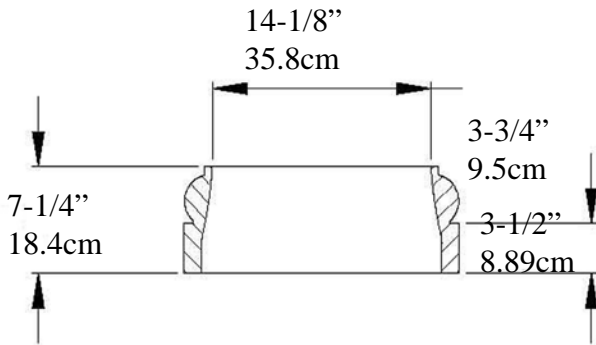
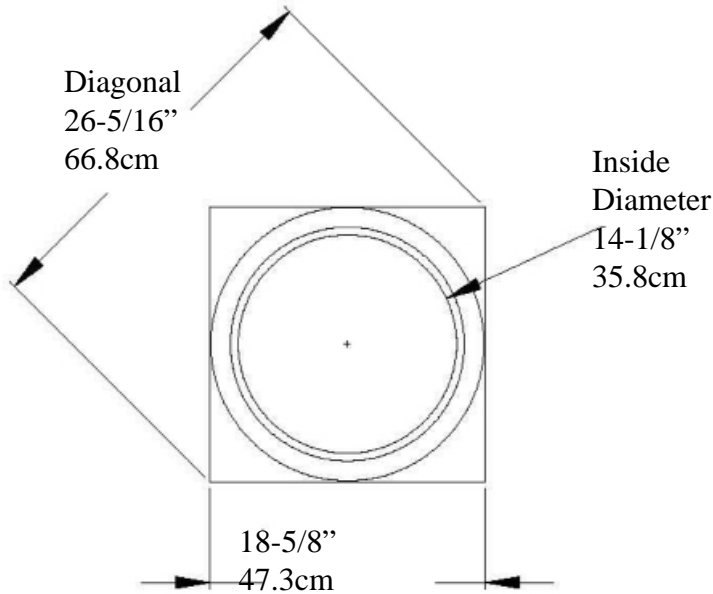




# Tuscan Base

## IPPCTB14 FRP-PolyComp™



Weight 24 lb (13.9 kg)

Made from Calcium Carbonate (Plaster) and Resins

Decorative Use Interior and Exterior Applications

\* All specifications subject to change without notice,

Final products & Measurements may vary from this brochure Manufacturing tolerences +- 1/8" (.31cm)



Imperial Productions®

1-800-399-7585

Imperial Productions & Distribution Inc.

email sales@imperialproductions.com copyright 2016 MRDCI All Rights Reserved

APR-23