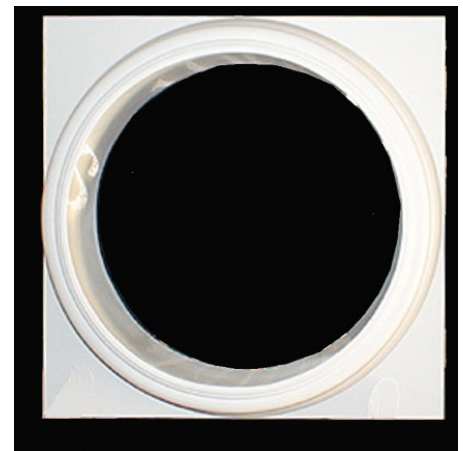
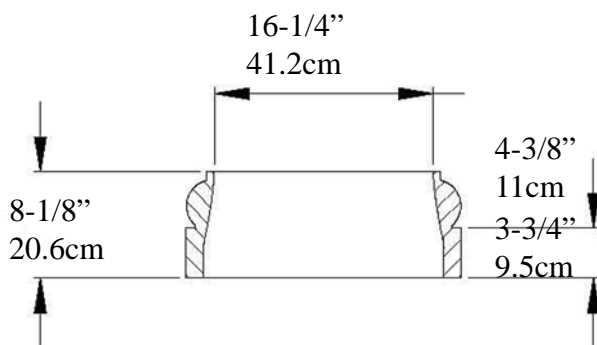
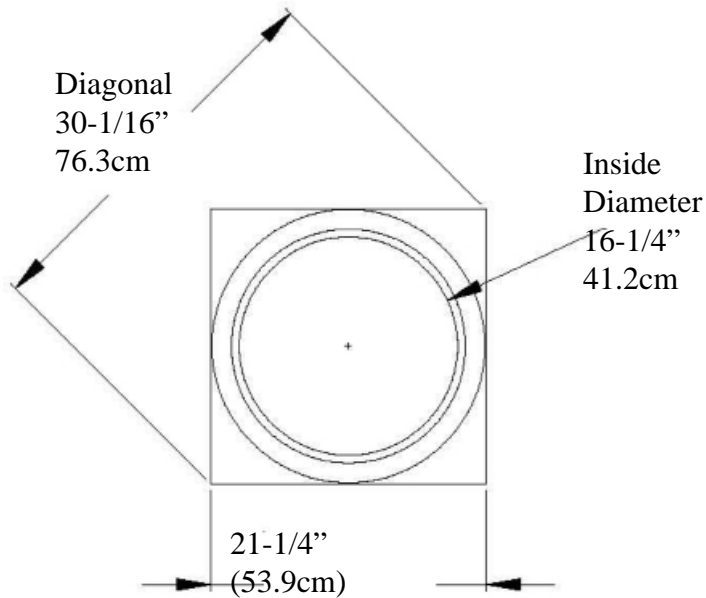




Tuscan Base

IPPCTB16 FRP-PolyComp™



Weight 36 lb (19.6 kg)

Made from Calcium Carbonate (Plaster) and Resins

Decorative Use Interior and Exterior Applications

* All specifications subject to change without notice,

Final products & Measurements may vary from this brochure Manufacturing tolerances +- 1/8" (.31cm)



Imperial Productions®

1-800-399-7585

Imperial Productions & Distribution Inc.

email sales@imperialproductions.com copyright 2016 MRDCI All Rights Reserved

APR-23