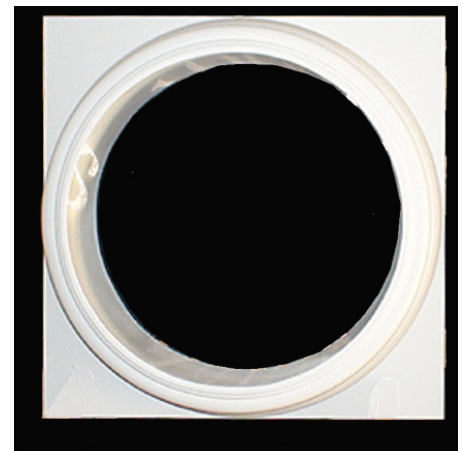
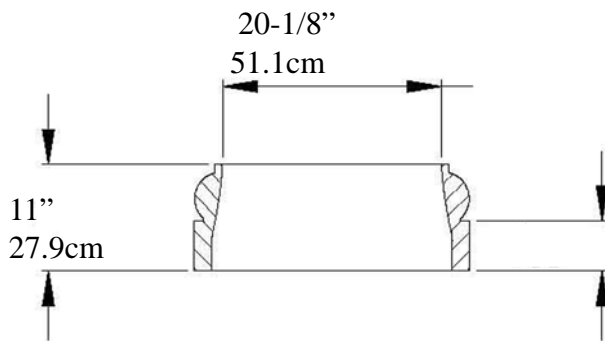
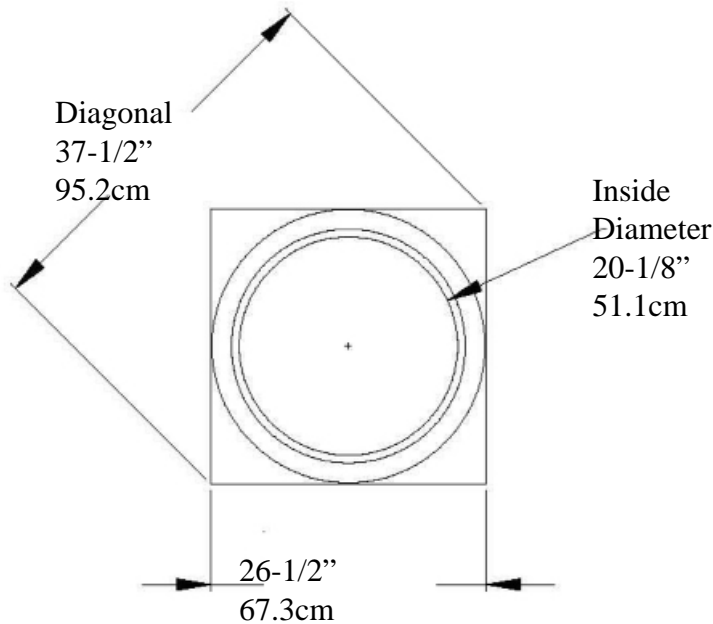




Tuscan Base

IPPCTB20 FRP-PolyComp™



Weight
90lbs
41kg

Made from Calcium Carbonate (Plaster) and Resins
Decorative Use Interior and Exterior Applications

* All specifications subject to change without notice,
Final products & Measurements may vary from this brochure Manufacturing tolerences +/- 1/8" (.31cm)



Imperial Productions®

1-800-399-7585

Imperial Productions & Distribution Inc.

email sales@imperialproductions.com copyright 2016 MRDCI All Rights Reserved

APR-23