



Roman Corinthian Capital

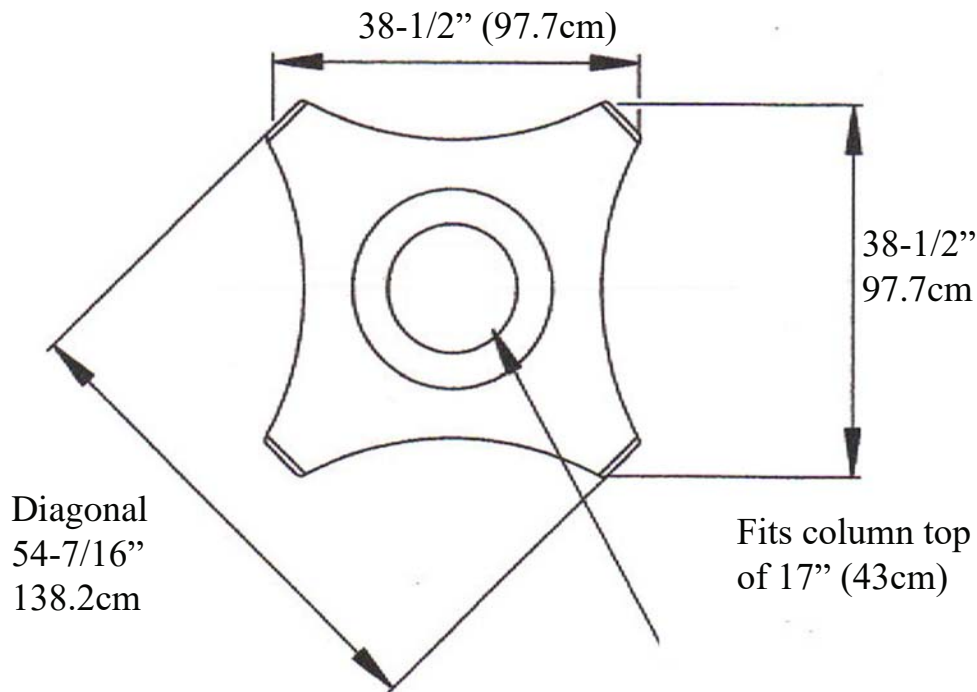
IPRC020 PolyComp™



Total Height
24-3/4"
62.8cm

* PolyComp™ Composite

Weight 170 lbs



* All specifications subject to change without notice, Final products & Measurements may vary from this brochure Manufacturing tolerences +/- 1/8" (.31cm)



Imperial Productions®

1-800-399-7585

Imperial Productions & Distribution Inc Toronto / New York / Chicago

email sales@imperialproductions.com copyright 2016 MRDCI All Rights Reserved

MAY-24