



# Roman Corinthian Capital

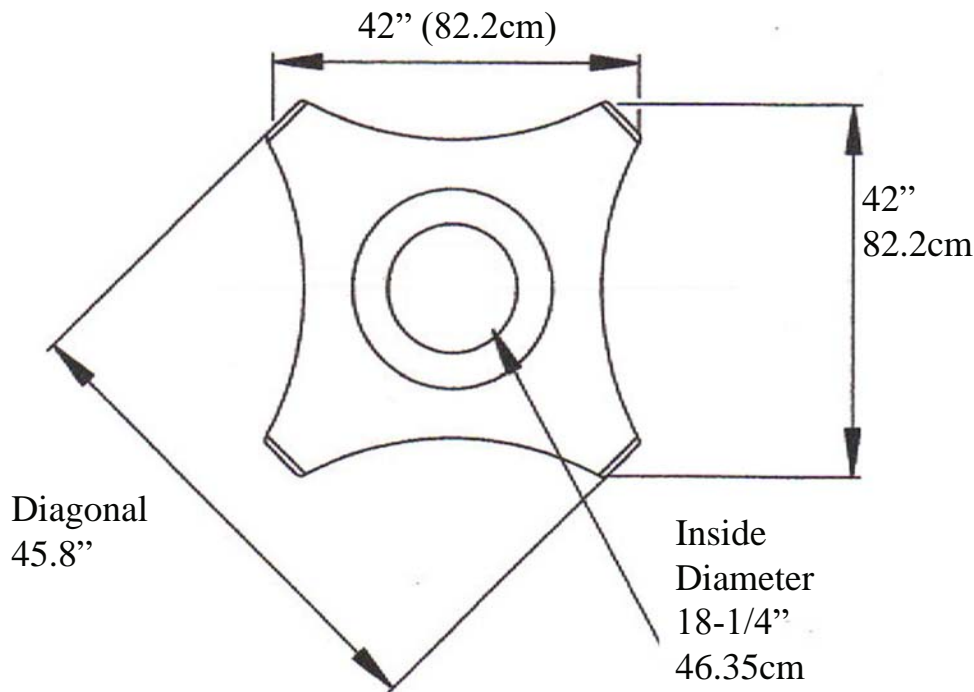
## IPRC022 PolyComp™



Total Height  
27-3/4"  
70.48cm

\* PolyComp™ Composite  
Weight 225 lbs

Fits Shaft Top  
18-1/2" (46.9cm)



\* All specifications subject to change without notice,  
Final products & Measurements may vary from this brochure Manufacturing tolerences +/- 1/8" (.31cm)



Imperial Productions®

1-800-399-7585

Imperial Productions & Distribution Inc Toronto / New York / Chicago  
email sales@imperialproductions.com copyright 2016 MRDCI All Rights Reserved

OCT-23